



KENSINGTON

architrave and skirting trunking system
PVCu



COMMITTED TO OPERATIONAL EXCELLENCE



Kensington Trunking System



Twin Socket Accessory



Architrave Door Kit



Skirting Profile



Flat Top

Grand Design

Unobtrusive skirting, architrave/mini-dado cable management system.

Ideal for installation in hotels, sheltered housing, nursing homes, and portable buildings where inconspicuous cabling is required to blend into the existing surroundings.

The Centaur Kensington PVCu Range comprises of one or two compartment, (80mm x 25mm) cable trunking and a full complement of accessories. A door kit is available with precut lengths of architrave and accessories to help with ease of ordering, keeping installation time and wastage to a minimum.

Design Features:

- Single or twin compartments for cable segregation (removable divider).
- Fittings overlap for more cutting tolerance, facilitating ease of installation
- Smooth lines for cleaning.
- Architrave profile can be run as a small dado system.
- Door frame kit available for ease of ordering and reduction of waste.

Kensington PVCu Skirting Trunking



Skirting Trunking

Cat No.	Description	Standard Pack Quantity
CKD	2 compartment 80mm x 25mm	15m
CKD 1	1 compartment 80mm x 25mm	15m

Accessories

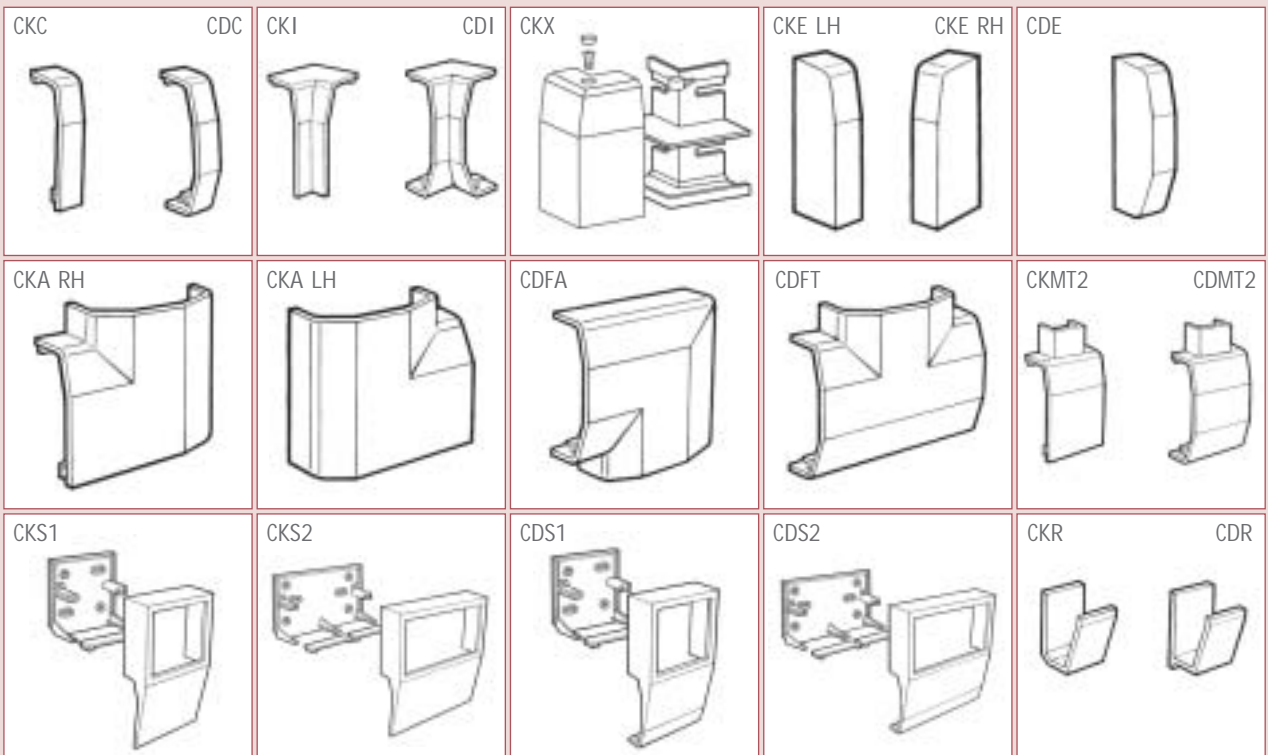
CKC	Coupler	10
CKI	Internal Angle	10
CKX	External Angle	10
CKE-RH	End Cap - Right Hand	5
CKE-LH	End Cap - Left Hand	5
CKA-RH	Skirting to Architrave Adaptor RH	2
CKA-LH	Skirting to Architrave Adaptor LH	2
CKMT 2	CMT 2 Adaptor	2
CKR	Cable Retainer	10
CKS 1	1 Gang Box	5
CKS 2	2 Gang Box	5

Architrave Trunking

CDA	2 compartment 80mm x 25mm	15m
CDA 1	1 compartment 80mm x 25mm	15m

Accessories

CDC	Coupler	10
CDI	Internal Angle	10
CDX	External Angle	10
CDE	End Cap	5
CDFA	Flat Angle	2
CDFT	Flat Tee	2
CDMT 2	CMT 2 Adaptor	2
CDR	Cable Retainer	10
CDS 1	1 Gang Box	5
CDS 2	2 Gang Box	5
CDK 1	Door Kit Includes: 2 x 2.2m CDA, 1 x 1m CDA, 1 x CKA RH, 1 x CKA LH, 2 x CDFA	1 pack





Kensington - CDA				
Type of Conductor	Size mm ²	Cable Factor	CapacityA @45% full	CapacityB @45% full
PVC Power Stranded	1.5 mm ²	8.6	i-23	i-49
PVC Power Stranded	2.5 mm ²	12.6	i-16	i-33
PVC Power Stranded	4.0 mm ²	16.6	i-12	i-25
PVC Power Stranded	6.0 mm ²	21.2	i-9	i-20
Cat. 6 UTP	*6.5 dia.	42.2	i-5	i-9
Cat.6 STP	*7.0 dia.	49.0	i-4	i-8

Kensington - CKD				
Type of Conductor	Size mm ²	Cable Factor	CapacityA @45% full	CapacityB @45% full
PVC Power Stranded	1.5 mm ²	8.6	i-23	i-56
PVC Power Stranded	2.5 mm ²	12.6	i-16	i-38
PVC Power Stranded	4.0 mm ²	16.6	i-12	i-29
PVC Power Stranded	6.0 mm ²	21.2	i-9	i-23
Cat. 6 UTP	*6.5 dia.	42.2	i-5	i-11
Cat.6 STP	*7.0 dia.	49.0	i-4	i-10

* Typical values for guideline purposes only
i denotes no outlet box or dividers fitted in compartment

