



CONDUIT

high impact heavy & light gauge
PVCu



LIGHT, CLEAN AND EASY TO HANDLE

Conduit and Conduit Fixing Accessories



Super High Impact Conduit (Heavy Gauge)

Cat No.	Size	Nom. Wall Thickness	Standard Pack	Length
HG 16	16mm	1.7mm	90m	3m
HG 20	20mm	1.8mm	90m	3m
HG 25	25mm	1.9mm	90m	3m
HG 32	32mm	2.5mm	30m	3m
HG 38	38mm	2.5mm	30m	3m
HG 50	50mm	3.2mm	30m	3m

Available in Black or White PVCu.

Super High Impact Conduit (Light Gauge)

LG 16	16mm	1.1mm	90m	3m
LG 20	20mm	1.2mm	90m	3m
LG 25	25mm	1.5mm	90m	3m
LG 32	32mm	1.5mm	30m	3m
LG 38	38mm	1.5mm	30m	3m
LG 50	50mm	1.8mm	30m	3m

Available in Black or White PVCu.

Oval Conduit - High Impact Available White PVCu.

OCO 500	13mm	0.8mm	150m	3m
OCO 625	16mm	0.8mm	150m	3m
OCO 750	20mm	0.8mm	150m	3m
OCO 1000	25mm	1.0mm	150m	3m
OCO 1250	32mm	1.0mm	60m	3m
OCO 1500	38mm	1.3mm	60m	3m

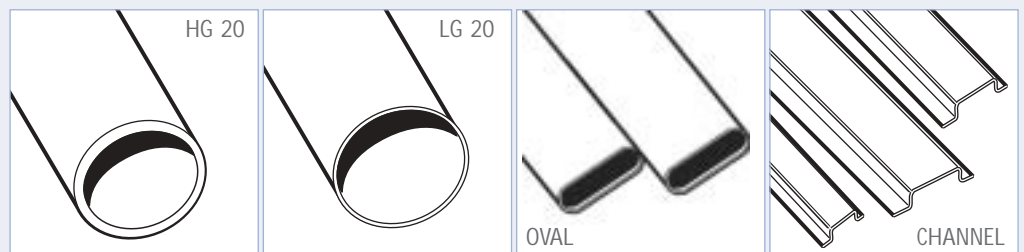
Manufactured to comply with BS 4607 Part 5.

Channels - High Impact Available in White PVCu only.

CH 050	13mm	7.4mm	100m	2m
CH 100	25mm	8.0mm	100m	2m
CH 150	38mm	8.5mm	100m	2m

Please state colour when ordering.

Standards: BS 4607 Part 5; BSEN 50086-2-1 (1996); BSEN 61386-21 (2004) formerly BS 6099.



Conduit and Conduit Fixing Accessories



Flexible Conduit Polypropylene Flame Retardant Halogen Free

Cat No	Description	Size	Standard Pack
CFP 2		20mm	50m
CFP 3		25mm	50m

Available in Black, White & Grey.

Flexible Conduit Accessories Also available in Grey.

CAF 2W	Flexible Conduit Adaptor White	20mm	50
CAF 3W	Flexible Conduit Adaptor White	25mm	50
CAF 2B	Flexible Conduit Adaptor Black	20mm	50
CAF 3B	Flexible Conduit Adaptor Black	25mm	50
CLR 20	Flexible Conduit Lockring Black	20mm	100
CLR 25	Flexible Conduit Lockring Black	25mm	100

Conduit Couplers Available in Black or White.

CSC 16		16mm	100
CSC 20		20mm	100
CSC 25		25mm	50
CSC 32		32mm	25
CSC 38		38mm	15
CSC 50		50mm	10

Expansion Couplers Available in Black or White.

CEC 20		20mm	50
CEC 25		25mm	25

Expansion couplers should be installed when a run exceeds 6m or on lengths adjacent to two fixed points.

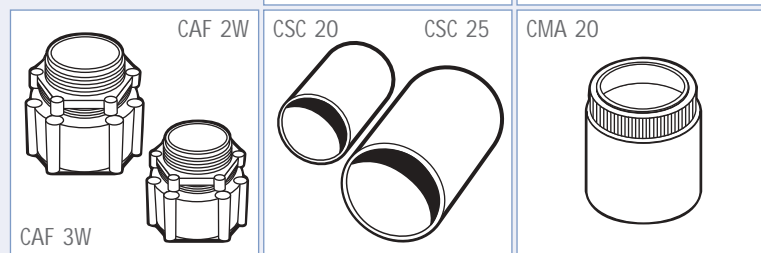
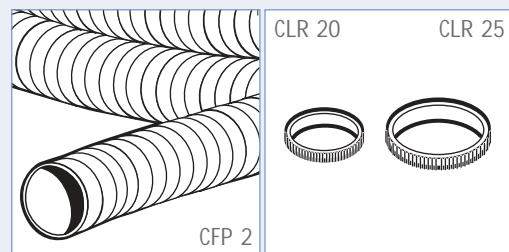
Male Adaptors Available in Black or White.

CMA 20		20mm	100
CMA 25		25mm	70
CMA 32		32mm	25
CMA 38		38mm	25
CMA 50		50mm	10

Clip In Adaptors Available in Black or White.

CIA 20		20mm	100
CIA 25		25mm	100

Please state colour when ordering.



Conduit and Conduit Fixing Accessories



Lockring (Screwed) Available in Black or White.

Cat No.	Size	Standard Pack
CLR 20	20mm	100
CLR 25	25mm	100
CLR 32	32mm	50
CLR 38	38mm	25
CLR 50	50mm	25

Female Adaptors Available in Black or White.

CFA 20	20mm	100
CFA 25	25mm	50
CFA 32	32mm	25
CFA 38	38mm	25
CFA 50	50mm	10

Male Bushes (Screwed) Available in Black or White.

CMB 20	20mm	100
CMB 25	25mm	100
CMB 32	32mm	50
CMB 38	38mm	25
CMB 50	50mm	25

Locknuts (Screwed) Available in Black or White.

93	20mm	100
94	25mm	100
CLN 32	32mm	50
CLN 38	38mm	25
CLN 50	50mm	25

Spacer Bar Saddles Available in Black or White.

SBS 16	16mm	100
SBS 20	20mm	100
SBS 25	25mm	100
SBS 32	32mm	50
SBS 38	38mm	25
SBS 50	50mm	25

Strap Saddles Available in Black or White.

SS 16	16mm	100
SS 20	20mm	100
SS 25	25mm	100
SS 32	32mm	100
SS 38	38mm	25
SS 50	50mm	25

Please state colour when ordering.

CLR 20 CLR 25



CFA 20

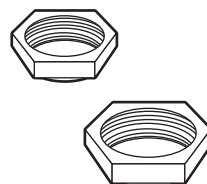


CMB 20



CLN 32

CLN 38



SBS 20



SS 20



Conduit and Conduit Fixing Accessories



ACD 2

Round Conduit Clips Available in Black or White.

Cat No.	Size	Standard Pack
SCS 20	20mm	100
SCS 25	25mm	100

Oval Conduit Clips Available in White.

COC 1	13mm	100
COC 2	16mm	100
COC 3	20mm	100
COC 4	25mm	100

Inspection Elbows Available in Black or White.

CIE 20	20mm	50
--------	------	----

Inspection Bends Available in Black or White.

CIB 20	20mm	30
CIB 25	25mm	20

Inspection Tees Available in Black or White.

CIT 20	20mm	40
CIT 25	25mm	20

Slip Bends (Light Gauge) Available in Black or White.

CSB 20	20mm	25
CSB 25	25mm	20

Oval Side bend Available in White.

COSB 3W	20mm	20
---------	------	----

Oval Forward Bend Available in White.

COFB 3W	20mm	20
---------	------	----

Normal Bends (Heavy Gauge) Available in Black or White.

Fitted with two couplers

CHB 20	20mm	25
CHB 25	25mm	15
CHB 32	32mm	2
CHB 38	38mm	2
CHB 50	50mm	2

Reducers Available in Black or White.

CR 1	20-16mm	100
CR 2	25-20mm	100

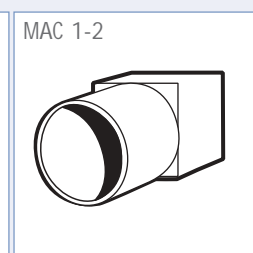
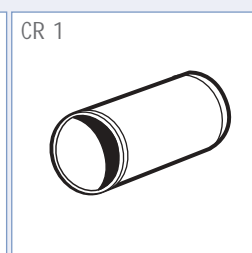
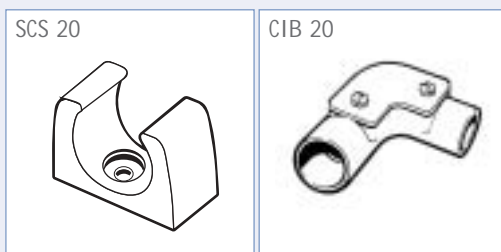
Oval to Round Conduit Adaptor Available in White.

COR 20	20mm	100
--------	------	-----

Mini Trunking to Conduit Adaptor Available in White.

MAC 1-2	CMT1-20mm	20
---------	-----------	----

Please state colour when ordering.



Conduit and Conduit Fixing Accessories



Plain Boxes Available in Black or White.

Cat No.	Description	Size	Standard Pack
20 CRB 1	Plain Box		30
20 CRBL 1	Plain Box with Lug		30
20 CRB 12	Back Outlet	20mm	30
25 CRB 12	Back Outlet	25mm	20
20 CRBL 12	Back Outlet with Lug	20mm	30
25 CRBL 12	Back Outlet with Lug	25mm	20

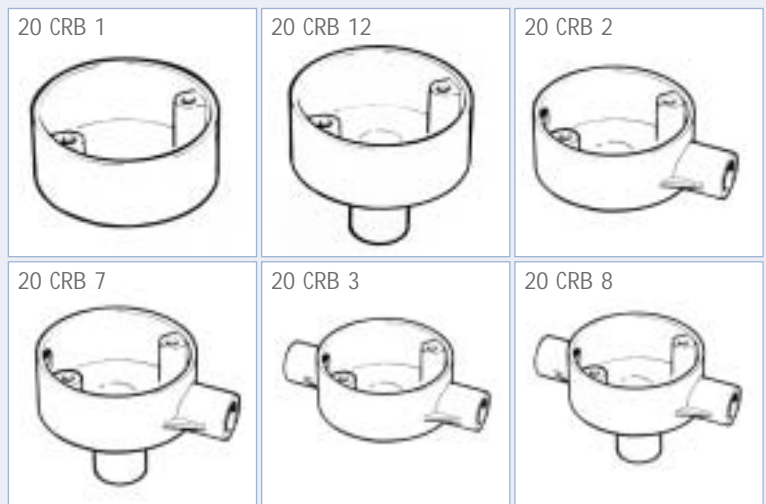
Terminal Boxes Available in Black or White.

20 CRB 2	Terminal Box	20mm	30
25 CRB 2	Terminal Box	25mm	20
20 CRBL 2	Terminal Box with Lug	20mm	30
25 CRBL 2	Terminal Box with Lug	25mm	20
20 CRB 7	Back Outlet	20mm	20
25 CRB 7	Back Outlet	25mm	20
20 CRBL 7	Back Outlet with Lug	20mm	20
25 CRBL 7	Back Outlet with Lug	25mm	20

Through Boxes Available in Black or White.

20 CRB 3	Through Box	20mm	30
25 CRB 3	Through Box	25mm	20
20 CRBL 3	Through Box with Lug	20mm	30
25 CRBL 3	Through Box with Lug	25mm	20
20 CRB 8	Back Outlet	20mm	20
25 CRB 8	Back Outlet	25mm	10
20 CRBL 8	Back Outlet with Lug	20mm	20
25 CRBL 8	Back Outlet with Lug	25mm	10

Please state colour when ordering.



Lid fixing centres approx. 50.8mm. M4 Brass inserts in pillars - plugged to prevent ingress of concrete. Moulded recess for earth terminals (Ref ET 1.). Boxes without lugs are suitable for loads up to 3kg centrally, at 60° maximum. Boxes with external lugs, rivetted to M4 Brass inserts in pillars are suitable for suspending loads up to 10kg centrally, at 60° maximum. External lugs can be used for screw fixing to the structure or keyed into concrete slab.



Angle Boxes Available in Black or White.

Cat No.	Description	Size	Standard Pack
20 CRB 4	Angle Box	20mm	30
25 CRB 4	Angle Box	25mm	20
20 CRBL 4	With Lug	20mm	30
25 CRBL 4	With Lug	25mm	20
20 CRB 9	Back Outlet	20mm	20
25 CRB 9	Back Outlet	25mm	10
20 CRBL 9	Back Outlet with Lug	20mm	20
25 CRBL 9	Back Outlet with Lug	25mm	10

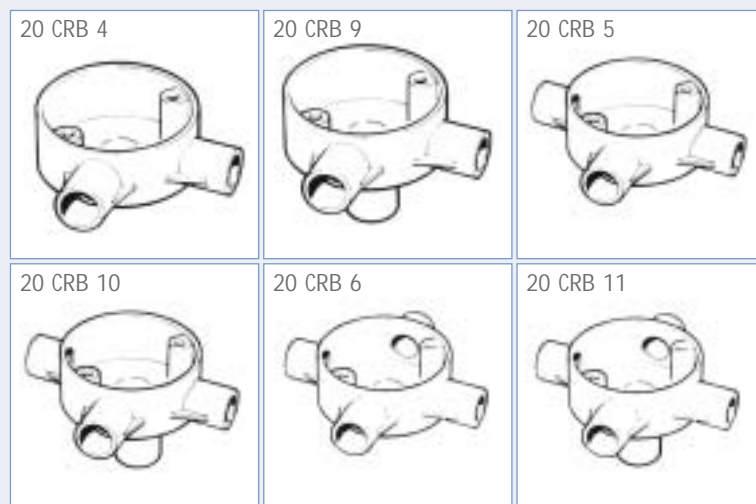
Tee Boxes Available in Black or White.

20 CRB 5	Tee Box	20mm	20
25 CRB 5	Tee Box	25mm	20
20 CRBL 5	With Lug	20mm	20
25 CRBL 5	With Lug	25mm	20
20 CRB 10	Back Outlet	20mm	20
25 CRB 10	Back Outlet	25mm	10
20 CRBL 10	Back Outlet with Lug	20mm	20
25 CRBL 10	Back Outlet with Lug	25mm	10

4 Way Boxes Available in Black or White.

20 CRB 6	4 Way Box	20mm	20
25 CRB 6	4 Way Box	25mm	10
20 CRBL 6	With Lug	20mm	20
25 CRBL 6	With Lug	25mm	10
20 CRB 11	Back Outlet	20mm	10
25 CRB 11	Back Outlet	25mm	10
20 CRBL 11	Back Outlet with Lug	20mm	10
25 CRBL 11	Back Outlet with Lug	25mm	10

Please state colour when ordering.



Lid fixing centres approx. 50.8mm. M4 Brass inserts in pillars - plugged to prevent ingress of concrete. Moulded recess for earth terminals (Ref ET 1). Boxes without lugs are suitable for loads up to 3kg centrally, at 60° maximum. Boxes with external lugs, rivetted to M4 Brass inserts in pillars are suitable for suspending loads up to 10kg centrally, at 60° maximum. External lugs can be used for screw fixing to the structure or keyed into concrete slab.

Conduit and Conduit Fixing Accessories



Loop In Boxes Available in Black or White.

Cat No.	Description	Size	Standard Pack
20 CRB 13	With 4-20mm knock outs	20mm	30
20 CRBL 13	With Lug 4-20mm knock outs	20mm	30

Y Boxes Available in Black or White.

20 CRB 14		20mm	20
25 CRB 14		25mm	20

U Boxes Available in Black or White.

20 CRB 15		20mm	20
25 CRB 15		25mm	20

Tangent Through Boxes Available in Black or White.

20 CRB 16		20mm	20
25 CRB 16		25mm	20

Tangent Angle Boxes Available in Black or White.

20 CRB 17		20mm	20
25 CRB 17		25mm	20

Tangent Tee Boxes Available in Black or White.

20 CRB 18		20mm	20
25 CRB 18		25mm	20

H Boxes Available in Black or White.

20 CRB 19		20mm	20
25 CRB 19		25mm	20

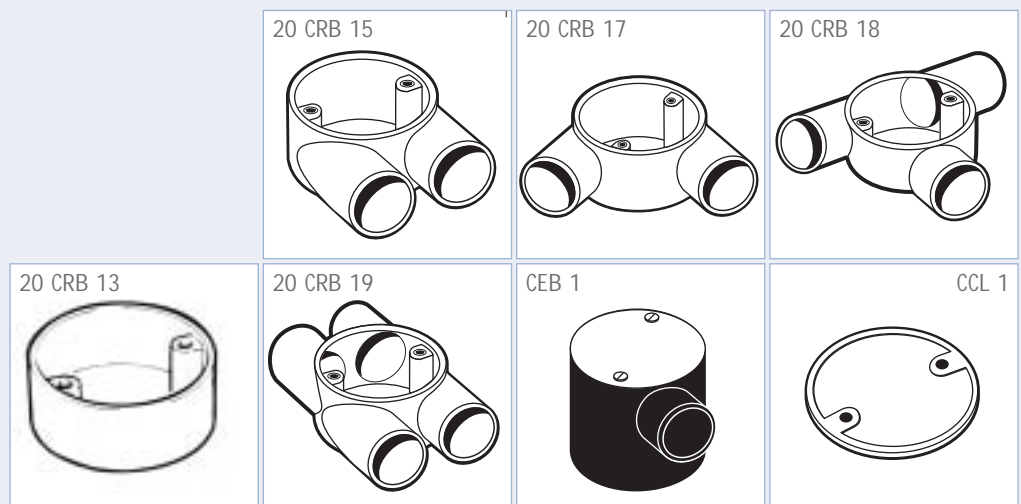
Lids

CCL 1	Circular Lid		100
CCL 0	Overlapping Lid	85mm dia.	100

Earth Electrode Box Available in Black with White Lid.

CEB 1		20mm	1
-------	--	------	---

Please state colour when ordering.



Lid fixing centres approx. 50.8mm. M4 Brass inserts in pillars - plugged to prevent ingress of concrete. Moulded recess for earth terminals (Ref ET 1). Boxes without lugs are suitable for loads up to 3kg centrally, at 60° maximum. Boxes with external lugs, rivetted to M4 Brass inserts in pillars are suitable for suspending loads up to 10kg centrally, at 60° maximum. External lugs can be used for screw fixing to the structure or keyed into concrete slab.



Extension Rings Available in Black or White.

Cat No.	Size	Standard Pack
CXR 12	12.5mm	50
CXR 20	20mm	50
CXR 25	25mm	50
CXR 38	38mm	20
CXR 50	50mm	10

CR Box Gasket Seals

CRG 1	100
-------	-----

Adaptable Boxes Available in Black or White.

CAB 1	75x75x50mm	5
-------	------------	---

Terminal Boxes Available in Black or White.

32 SRB 2	32mm	5
38 SRB 2	38mm	5

Through Boxes Available in Black or White.

32 SRB 3	32mm	5
38 SRB 3	38mm	5

Angle Boxes Available in Black or White.

32 SRB 4	32mm	5
38 SRB 4	38mm	5

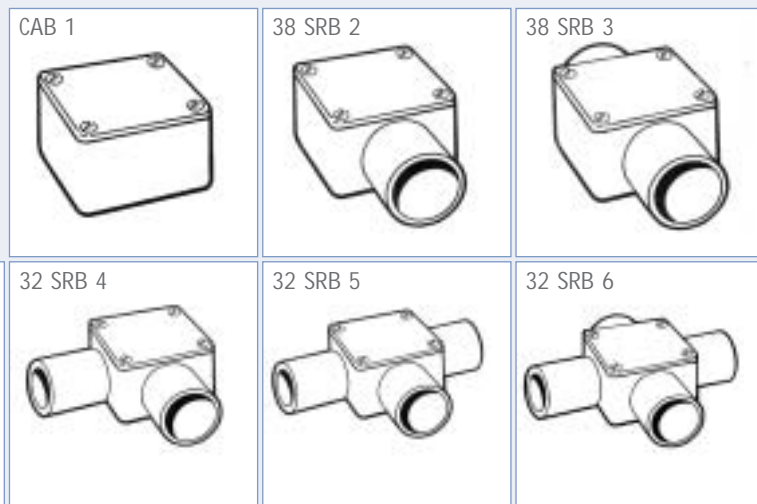
Tee Boxes Available in Black or White.

32 SRB 5	32mm	5
38 SRB 5	38mm	5

4 Way Boxes Available in Black or White.

32 SRB 6	32mm	5
38 SRB 6	38mm	5

Please state colour when ordering.



Lid fixing centres approx. 50.8mm. M4 Brass inserts in pillars - plugged to prevent ingress of concrete. Moulded recess for earth terminals (Ref ET 1). Boxes without logs are suitable for loads up to 3kg centrally, at 60° maximum. Boxes with external tugs, rivetted to M4 Brass inserts in pillars are suitable for suspending loads up to 10kg centrally, at 60° maximum. External lugs can be used for screw fixing to the structure or keyed into concrete slab.



Conduit and Conduit Fixing Accessories



Bell Mouth Bushes

Cat No.	Description	Size	Standard Pack
CBB 20		20mm	100
CBB 25		25mm	100
SL 20	Sleeve	20mm	100
SL 25	Sleeve	25mm	100

Conduit Plugs

CPS 20	Screwed	20mm	100
CPS 25	Screwed	25mm	100

Conduit Bending Springs

CHS 16	Heavy Gauge, Green	16mm	1
CHS 20	Heavy Gauge, Green	20mm	1
CHS 25	Heavy Gauge, Green	25mm	1
CHS 32	Heavy Gauge, Green	32mm	1
CLS 16	Light Gauge, Red	16mm	1
CLS 20	Light Gauge, Red	20mm	1
CLS 25	Light Gauge, Red	25mm	1
CLS 32	Light Gauge, Red	32mm	1

Conduit Adhesive

SA 2	Waterproof Adhesive (Permanent) Vinyl solvent cement for making watertight joints between PVCu conduit and fittings	250ml Tin
------	--	-----------

Steel Cheese Head Screws

M4x8	Steel Cheese Head	100
M4x10	Steel Cheese Head	100
M4x12	Steel Cheese Head	100

Nylon Draw Drapes

CDT 10	Length 10m	1
CDT 20	Length 20m	1
CDT 30	Length 30m	1

Earth Sleeving Yellow/Green

GYE 2/3	2mm i/d 3mm o/d	100m
GYE 3/4	3mm i/d 4mm o/d	100m
GYE 4/5	4mm i/d 5mm o/d	100m
GYE 5/6	5mm i/d 6mm o/d	100m

Coloured Sleeving

Blue 2/3	2mm i/d 3mm o/d	100m
Blue 3/4	3mm i/d 4mm o/d	100m
Blue 4/5	4mm i/d 5mm o/d	100m
Blue 5/6	5mm i/d 6mm o/d	100m
Brown 2/3	2mm i/d 3mm o/d	100m
Brown 3/4	3mm i/d 4mm o/d	100m
Brown 4/5	4mm i/d 5mm o/d	100m
Brown 5/6	5mm i/d 6mm o/d	100m





Earth Terminals

Cat No.		Size	Standard Pack
ET 1	Brass Earth Terminal	15amp	100

Nylon Compression Glands Available in White, Black and Red.

251	Small for 7.0-10.5 dia. cables	20mm	100
251 P	Small Plain End For 7.0-10.5 dia. cables	20mm	100
252	Large for 8.0-13.0 dia. cables	20mm	100
254	For 12.0-18.0 dia. cables	25mm	100

Long Thread Available in White, Black and Red.

259	Small for 7.0-10.5 dia. cables	20mm	100
-----	--------------------------------	------	-----

PG Thread Available in White, Black and Red.

252 PG	Large 22-5mm Thread for 8.0-13.0 dia. cables	20mm	100
--------	---	------	-----

Thread Adaptor Available in White, Black and Red.

PG 20	22-5mm to 20mm Adaptor		100
-------	------------------------	--	-----

Switch Box (Moveable Lug) Available in White.

CSU 6/1AL	1 gang 16mm deep. Oval knockouts 2x16mm Oval for OCO 625 1x20mm Oval for OCO 1000		20
-----------	--	--	----

Socket Boxes (Moveable Lug) Available in White.

CSU 8/1AL	1 gang 35mm deep. 8x20mm round knockouts		20
CSU 8/2AL	2 gang 35mm deep. 12x20mm round knockouts		10

Socket Boxes with Oval Knockouts Available in White.

CSU 1/SO	1 gang 35mm deep. Oval knockouts 1x20mm Oval for OCO 750 1x25mm Oval for OCO 1000		20
CSU 3/SO	1 gang 35mm deep. Oval knockouts 1x20mm Oval for OCO 750 1x25mm Oval for OCO 1000		10

Surface Boxes (with 1 20mm knockout)

SBR 3	1 Gang Deep Square Corners	32mm deep	20
SBR 4	2 Gang Deep Square Corners	32mm deep	10
SBR 7	1 Gang Deep Radius Corners	32mm deep	20
SBR 8	2 Gang Deep Radius Corners	32mm deep	10
SBR 9	1 Gang Deep Square Corners	44mm deep	10
SBR 10	2 Gang Deep Square Corners	44mm deep	5

Flat Lids

FL 1	Single Gang		20
FL 2	Double Gang		10

Conduit Stop Ends

CCE 20R	Conduit Stop End	20mm	100
CCE 25R	Conduit Stop End	25mm	100



Conduit Installation and Capacity Notes



Centaur conduit is light in weight (16% of weight of steel conduit), is clean and easy to handle, does not require the use of on site special equipment such as vice bender or thread cutting gear, is non-conductive, will not corrode or stain plaster.

Centaur conduit, oval conduit and high impact channelling should be installed using the special Centaur accessories.

Oval conduit and high impact channel are usually used for short runs in domestic situations for external fixing or where the deep chasing required for round conduit is not possible. PVCu conduit has a rate of expansion greater than that of steel; it is therefore important to make sure that surface work allows for sliding joint into boxes or couplers, this will permit movement along the conduit run and avoid distortion. The distance between saddles or clips should not exceed 4' 0" (1.20m). If possible the boxes should be fixed first and a line used to establish correct alignment, which will ease the threading of cable through the conduit. Cutting can be performed with any fine-toothed saw. Bending or forming of conduit of 25mm Dia. or less can be achieved cold, provided the appropriate bending spring is employed internally in the location of the bend. Greater diameters may need local application of gentle heat. Cable is threaded by using the Centaur tape draw. Centaur plastic conduit cement provides a waterproof joint which is easily made by painting the female internal surface of any joint before sliding the male section in with a twisting action to spread the cement evenly.

Conduit Cable Capacity

Calculation system based on Appendix 12 IEE Regulations - 16th Edition.

1. Use table 12A or 12C to determine the factor for each cable being used.
2. Add the appropriate cable factors and compare with the conduit factor from table 12B or 12D.
3. The required conduit size is the one having a factor equal to or greater than the sum of the cable factors.

Single-core pvc insulated cables in straight runs of of conduit exceeding 3m in length or in runs of any length incorporating bends or sets. The information in the tables is intended only for guidance.

Type of Conductor	Conductor cross-sectional area mm ²	Factor
Solid	2	22
	1.5	27
	2.5	39
Stranded	1.5	31
	2.5	43
	4	58
	6	88
	10	146

Table 12A
Cable Factors short straight runs

Conduit dia mm	Factor
16	290
20	460
25	800
32	1400

Table 12B
Conduit Factors short straight runs

Type of Conductor	Conductor cross-sectional area mm ²	Factor
Solid or Stranded	2	16
	1.5	22
	2.5	30
	4	43
	6	58
	10	105

Table 12C
Cable Factors for long straight or runs runs incorporating bends

Length of Run (m)	Conduit Diameter (mm)																							
	16	20	25	32	16	20	25	32	16	20	25	32	16	20	25	32	16	20	25	32				
	Straight				One Bend				Two Bends				Three Bends				Four bends							
1	Covered by Tables 12A and 12B				188	303	543	947	177	286	514	900	158	256	463	818	130	213	388	692	97	159	292	529
1.5	Covered by Tables 12A and 12B				182	294	528	923	167	270	487	857	143	233	422	750	111	182	333	600				
2	Covered by Tables 12A and 12B				177	286	514	900	158	256	463	818	130	213	388	692	97	159	292	529				
2.5	Covered by Tables 12A and 12B				171	278	500	878	150	244	442	783	120	196	358	643	86	141	260	474				
3	Covered by Tables 12A and 12B				167	270	487	857	143	233	422	750	111	182	333	600								
3.5	179	290	521	911	162	263	475	837	136	222	404	720	103	169	311	563								
4	177	286	514	900	158	256	463	818	130	213	388	692	97	159	292	529								
4.5	174	282	507	889	154	250	452	800	125	204	373	667	91	149	275	500								
5	171	278	500	878	150	244	442	873	120	196	358	643	86	141	260	474								
6	167	270	487	857	143	233	422	750	111	182	333	600												
7	162	263	475	837	136	222	404	720	103	169	311	563												
8	158	256	463	818	130	213	388	692	97	159	292	529												
9	154	250	452	800	125	204	373	667	91	149	275	500												
10	150	244	442	783	120	196	358	643	86	141	260	474												

Table 12D Conduit Factors for runs incorporating Bends