



PRESIDENT

PVCu and aluminium

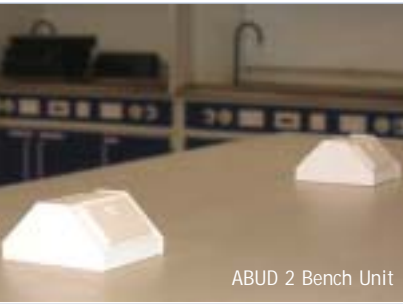
Bench Trunking



C E N T A U R S Y N O N Y M O U S W I T H I N N O V A T I O N



President Bench Trunking Systems



ABUD 2 Bench Unit



DBT 1 Bench Trunking



ASD 1 Dado / ABT 1 Bench Trunking

Seamless Integration

One of the simplest yet most versatile cable management systems available.

Designed for use in laboratories, classrooms, offices and workshops, the President Bench Trunking System offers ease of installation and practicality in use.

A product of extensive research and development aimed at fulfilling the broad based needs of industrial, commercial and institutional users. The range now offers trunking in both PVCu and aluminium to meet varying demands for durability and safety under all conditions, as well as a range of accessories for ease of installation and design flexibility.

Such is the versatility of the President Bench Trunking System, it can be easily adapted to suit a range of installations such as under-shelf or in a vertical corner position.

President Bench Trunking integrates easy to install clip-in dividers creating two or three completely segregated compartments for power and data cables. The positive fix trunking lid allows for the reconfiguration of cables and outlets at any time.

Design Features:

- Available in PVCu, Aluminium or a combination of Aluminium body and PVCu lid.
- Easy to install clip-in dividers creating two or three completely segregated compartments for power and data cables if required.
- Positive fix trunking lid allows the reconfiguration of cables and outlets at anytime.
- 32mm outlet boxes to suit all leading brands of power and data accessories.
- Single and dual end caps enabling back-to-back trunking installations.
- Fabricated internal and external angles
- Easily adapted to suit a range of installations, such as under shelf or vertical corner position.
- Aluminium available in standard white RAL 9016.

President Bench Units PVCu & Aluminium



Bench Trunking (PVCu)

Cat No.	Description	Standard Pack Quantity
ABU 1	1 Gang	1
ABU 2	2 Gang	1
ABU 3	3 Gang	1
ABU 1/2	1 + 2 Gang	1
ABU 2/2	2 + 2 Gang	1
ABU 1/1/2	1 + 1 + 2 Gang	1

Dual Bench Units

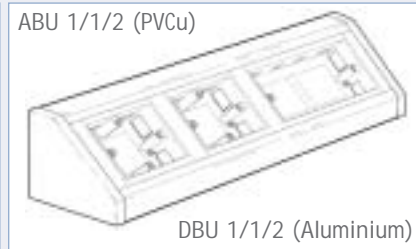
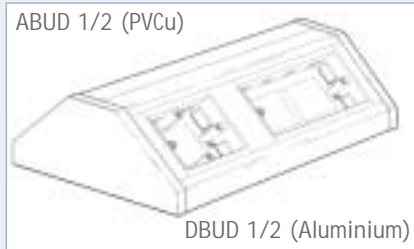
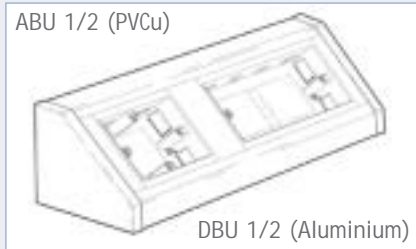
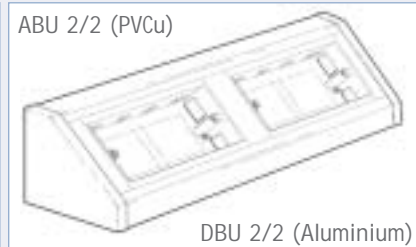
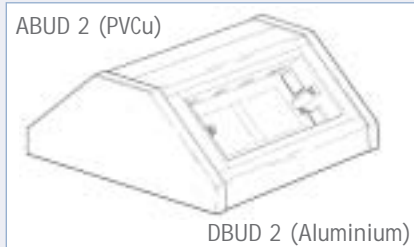
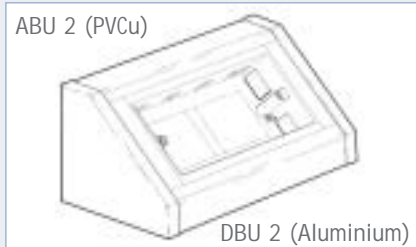
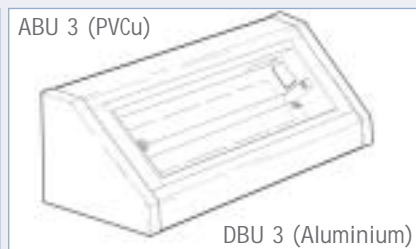
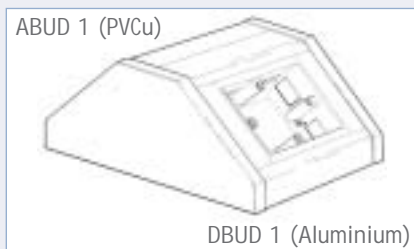
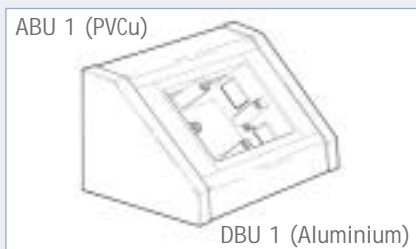
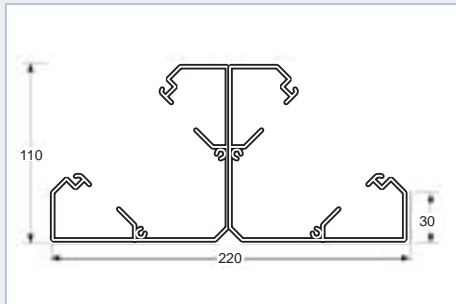
ABUD 1	1 Gang x 2	1
ABUD 2	2 Gang x 2	1
ABUD 1/2	1 + 2 Gang x 2	1

Bench Trunking (Aluminium)

Cat No.	Description	Standard Pack Quantity
DBU 1	1 Gang	1
DBU 2	2 Gang	1
DBU 3	3 Gang	1
DBU 1/2	1 + 2 Gang	1
DBU 2/2	2 + 2 Gang	1
DBU 1/1/2	1 + 1 + 2 Gang	1

Dual Bench Units

DBUD 1	1 Gang x 2	1
DBUD 2	2 Gang x 2	1
DBUD 1/2	1 + 2 Gang x 2	1

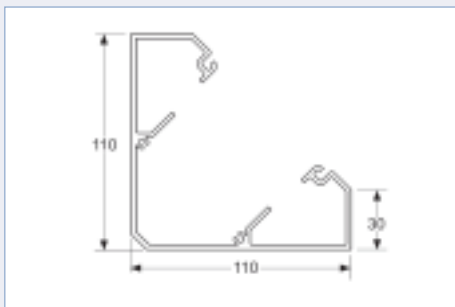




President PVCu Bench Trunking System



ABT 1



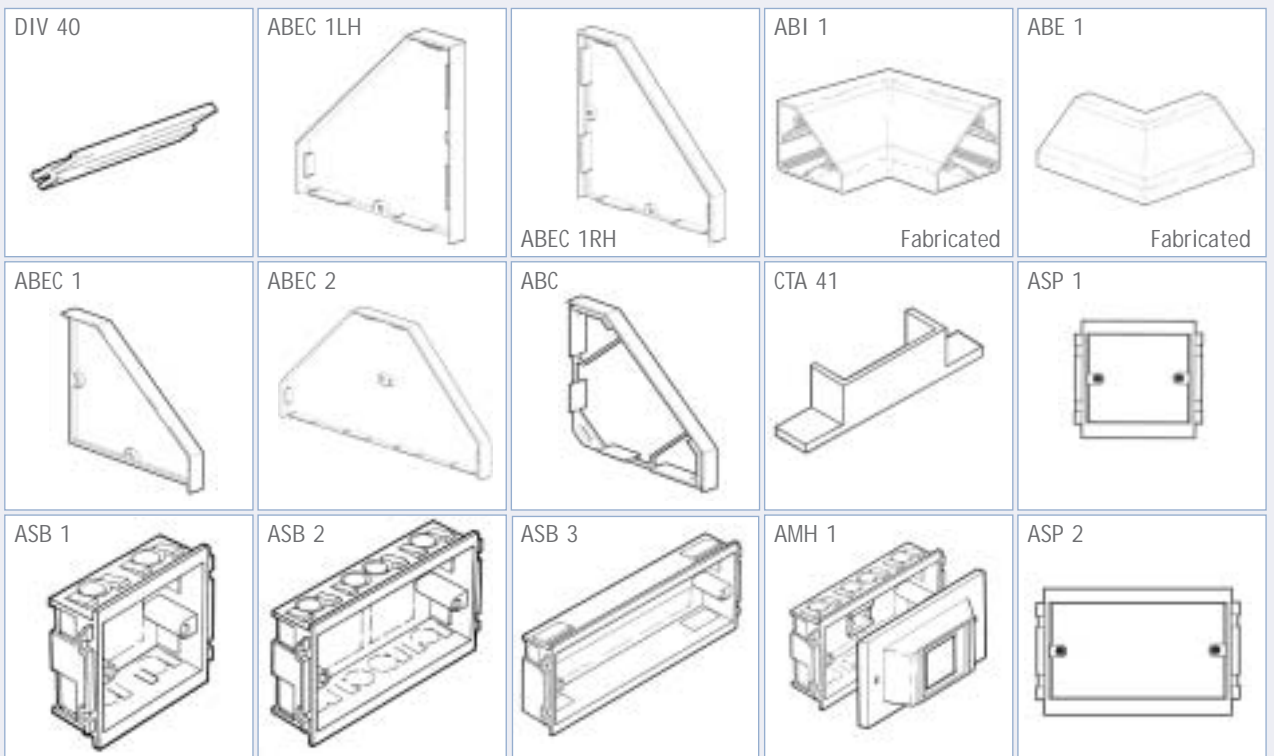
Bench Trunking

Cat No.	Description	Standard Pack Quantity
ABT 1	PVCu Bench Trunking	2 x 3m
DIV 40	40mm Clip-in Divider	10 x 3m

Accessories

ABC	Coupler	2
ABI 1	Internal Angle, Fabricated	1
ABE 1	External Angle, Fabricated	1
ABEC 1	End Cap (complete with 2 screws) For use where a work surface and wall meet	2
ABEC 2	Dual End Cap (complete with 2 screws)	2
ABEC 1LH	End Cap (complete with 2 screws)	2
ABEC 1RH	End Cap (complete with 2 screws)	2
ASB 1	Outlet Box, 1 Gang, 32mm	10
ASB 2	Outlet Box, 2 Gang, 32mm	10
ASB 3	Outlet Box, 3 Gang, 32mm	5
ASP 1	Outlet Plate, 1 Gang	15
ASP 2	Outlet Plate, 2 gang	15
ALF 1	15mm Socket Spacer	10
AMH 1	MCB / RCD Housing	1
CTA 41	CMXT 41 Entry	1

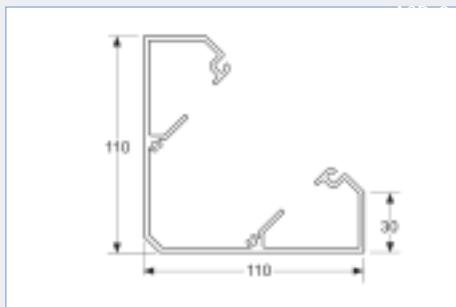
Designed for use in laboratories, classrooms, offices and workshops, the President Bench Trunking System offers ease of installation and practicality in use, and is now available in aluminium and PVCu with easy to install clip-in dividers, creating two or three completely segregated compartments for power and data cables.



President Aluminium Bench Trunking System



DBT 1



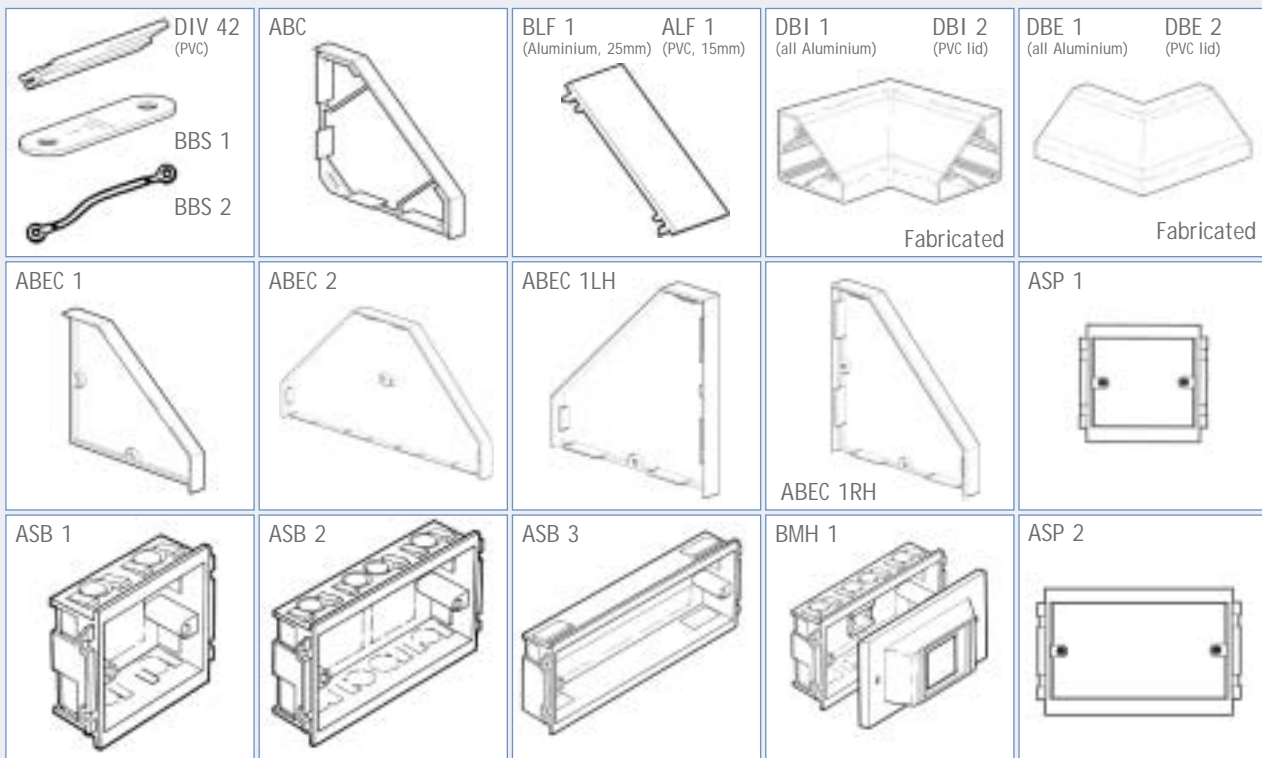
Bench Trunking

Cat No.	Description	Standard Pack Quantity
DBT 1	All Aluminium Trunking complete with lid	2 x 2m
DBT 1/3	All Aluminium Trunking complete with lid	2 x 3m
DBT 2	Aluminium base with PVCu lid	2 x 2m
DBT 2/3	Aluminium base with PVCu lid	2 x 3m
DIV 42/S	50mm Clip-in Divider, PVCu EMC Spray Coated	10 x 3m
DIV 42	50mm Clip-in Divider, PVCu	10 x 3m

Accessories

ABC	Coupler	2
DBI 1	Internal Angle, Fabricated	1
DBI 2	Internal Angle, Fabricated with PVCu lid	1
DBE 1	External Angle, Fabricated	1
DBE 2	External Angle, Fabricated with PVCu lid	1
ABEC 1	End Cap (complete with 2 screws) For use where a work surface and wall meet	2
ABEC 2	Dual End Cap (complete with 2 screws)	2
ABEC 1LH	End Cap (complete with 2 screws)	2
ABEC 1RH	End Cap (complete with 2 screws)	2
ASB 1	Outlet Box, 1 Gang, 32mm	10
ASB 2	Outlet Box, 2 Gang, 32mm	10
ASB 3	Outlet Box, 3 Gang, 32mm	5
ASP 1	Outlet Plate, 1 Gang	15
ASP 2	Outlet Plate, 2 gang	15
BLF 1	25mm Outlet Box Spacer, Aluminium	10
ALF 1	15mm Outlet Box Spacer, PVCu	10
BBS 1	Earth Strap (Solid Link)	10
BBS 2	Earth Lead (Flexible)	10
BMH 1	MCB / RCD Housing	1
CTA 41	CMXT 41 Entry	1

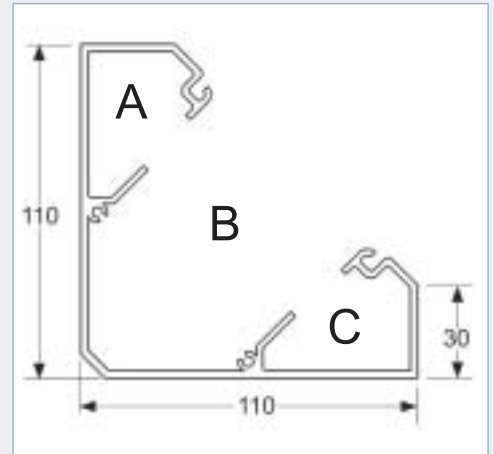
Only available in White (Add suffix W).





President Bench Trunking Cable Capacity

Bench Trunking Cable Capacity ABT 1/DBT 1					
Type of Conductor	Size mm ²	Cable Factor	CapacityA @45% full	CapacityB @45% full	CapacityC @45% full
PVC Power Stranded	1.5 mm ²	8.6	i-64	i-288; ii-168 iii-150	i-64
PVC Power Stranded	2.5 mm ²	12.6	i-44	i-197; ii-115 iii-102	i-44
PVC Power Stranded	4.0 mm ²	16.6	i-33	i-150; ii-87 iii-78	i-33
PVC Power Stranded	6.0 mm ²	21.2	i-26	i-117; ii-68 iii-61	i-26
Cat. 6 UTP	*6.5 dia.	42.2	i-13	i-56; ii-32 iii-28	i-13
Cat.6 STP	*7.0 dia.	49.0	i-11	i-50; ii-28 iii-25	i-11



* Typical values for guideline purposes only

- i denotes no outlet box fitted in compartment
- ii denotes 32mm deep outlet box fitted in compartment
- iii denotes 40mm deep outlet box fitted in compartment