

# PRESIDENT

skirting and dado trunking system  
**PVCu**



C E N T A U R   S Y N O N Y M O U S   W I T H   I N N O V A T I O N



## Adaptable Design

An innovative design and aesthetically pleasing solution for cable management in hospitals, offices, schools, colleges, laboratories, hotels and public buildings. Offering substantial cable capacity and design appeal for today's modern buildings.

The President PVCu cable management system allows a fast, easy and cost-effective solution. With the variation of chamfered, square or skirting profiles, in high impact resistant PVCu.

### Design Features:

- Clean line design for maximum aesthetic appeal.
- Large capacity multi-compartment design.
- Chamfered, square or skirting profiles.
- Square Dado Trunking available with Cat6 fittings.
- Centaur white as standard. RAL/BS colours to order.
- Wood Effect Available in Light Oak and Mahogany.
- A unique, positive locking device with caps for the moulded fittings provide, fast installation and a neat appearance.
- Choice of 32mm or 40mm deep outlet boxes.

Centaur President trunking is an all British design and manufactured in accordance with the requirements of BS 4678, Part 4 (1982) and allows the installer to comply with BS 7671 (wiring regulations).



*Moulded overlapping end cap with both internal and external screw fixing facility offering additional security.*



*Overlapping one-piece covers, eliminating the need for joint couplers.*



*End plate provided with internal corner to help maintain trunking integrity.*

*Outlet boxes have square knock out in base to allow for deeper accessories.*



*Compartment segregation on external angles.*



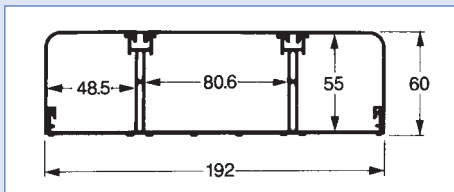
*Corner guard protection fitted as standard on flat angles.*



# President Cat 6 Data Trunking



ASD 1



Standards:  
 BSEN 50173/50174-2; ISO/IEC 11801;  
 ANSI/TIA/EIA 568-B; BS7671: BS6701; BS  
 4678, part 4.

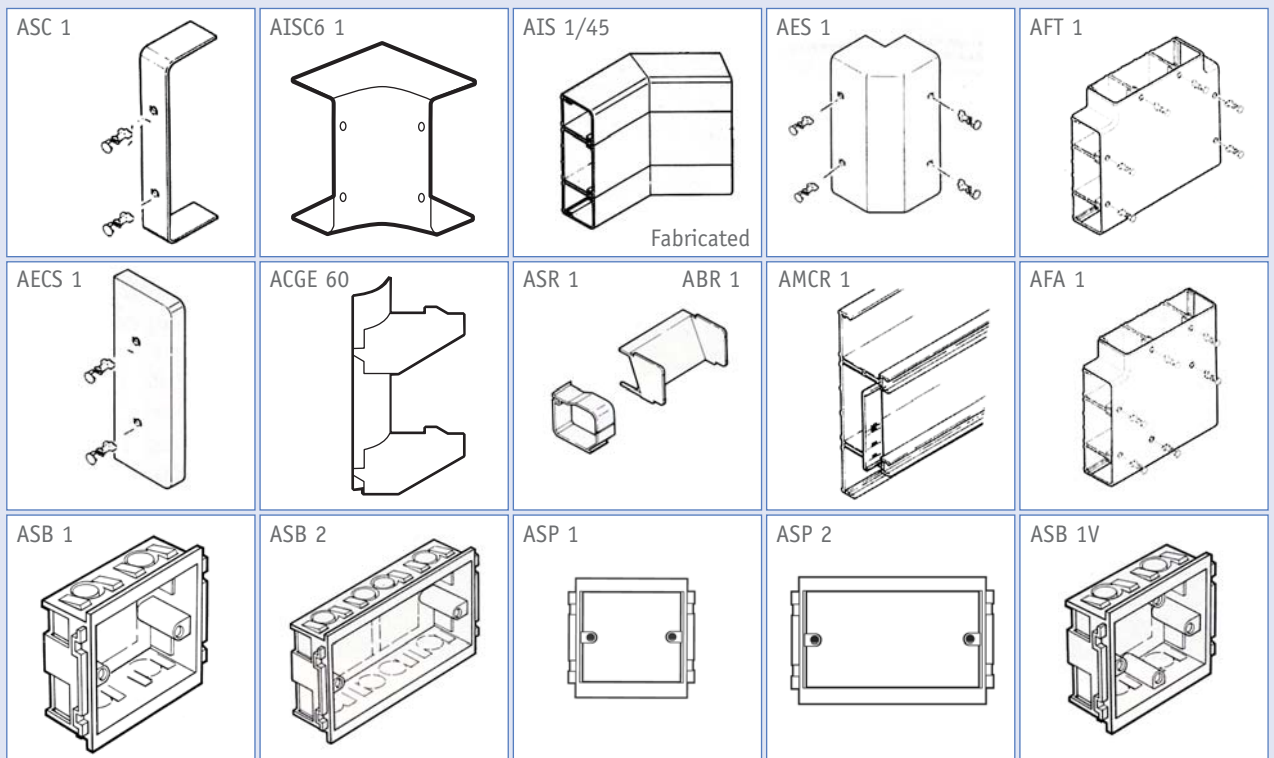
## Three Compartment

Cat No.	Description	Standard Pack Quantity
ASD 1	Trunking Complete with Lids	2 x 3m

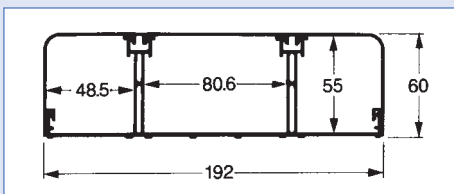
### Accessories

ACS 1	Coupler	2
AISC6 1	Internal Angle Cat 6 Data	1
AI5 1/45	Internal Angle 45 (Fabricated)	1
AES 1	External Angle c/w dividers	1
AES 1/45	External Angle c/w dividers 45 (Fabricated)	1
AECS 1	End Cap	2
AMCR 1	Cable Retainer, Centre	6
ASR 1	Cable Retainer, Square	6
AFA 1	Flat Angle	1
AFT 1	Flat Tee	1
ACO 1	Crossover Unit (Fabricated)	1
ASB 1	Outlet Box, 1 Gang, 32mm	10
ASB 1V	Outlet Box, 1 Gang, 32mm, 4 Pillars	10
ASB 2	Outlet Box, 2 Gang, 32mm	10
ASB 3	Outlet box, 3 Gang, 32mm	5
ASBC6 1	Outlet Box 1 Gang, 40mm	10
ASBC6 2	Outlet Box 2 Gang, 40mm	10
ASP 1	Outlet Plate, 1 Gang	15
ASP 2	Outlet Plate, 2 Gang	15
ALF 1	Centre Lid Spacer, 15mm	10
ABR 1	Bridge Piece, Square	2
ABR 3	Bridge Piece, Centre	2
AWPS 1	Wall Plate	1
ACGE 60	External Corner Guard	1

All fabricated fittings require couplers at joints. Internal and External Angles are supplied complete with locking devices and caps. For close fitting of outlet boxes, lid spacer ALF1 should be used.  
 For EMC screening details, please refer to page 22.



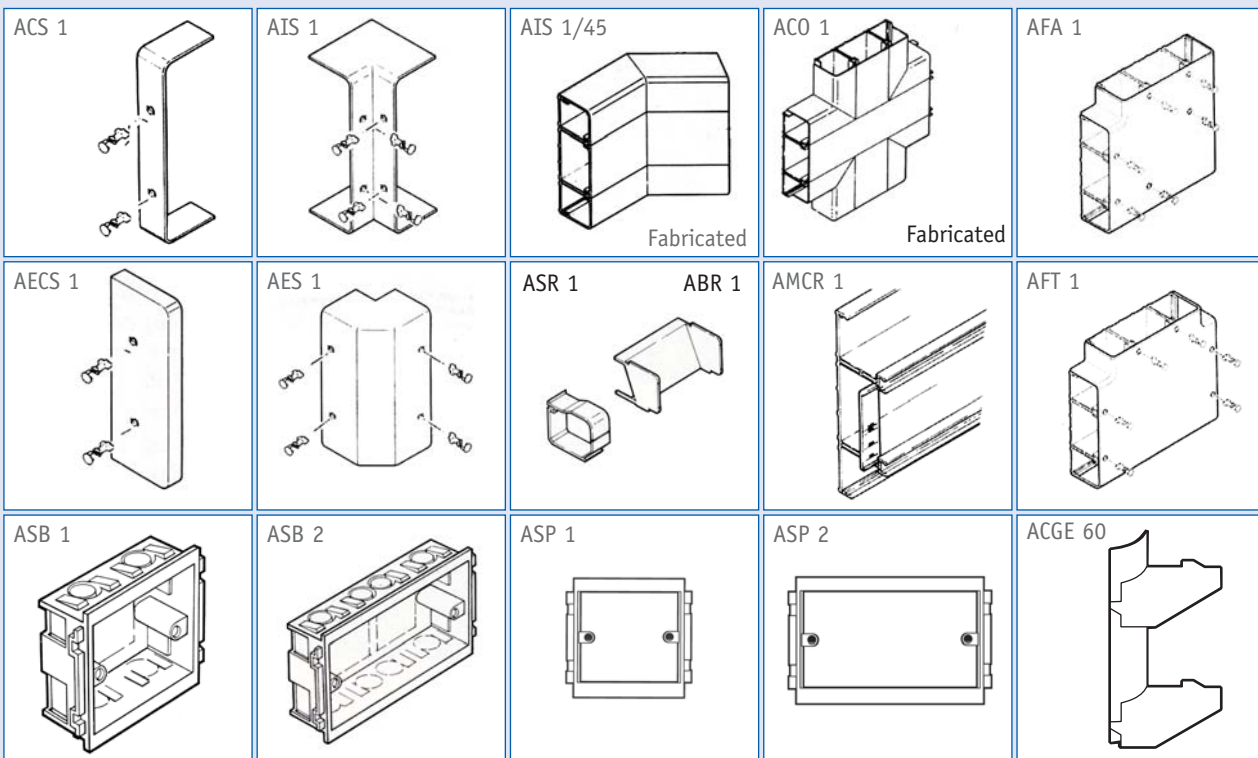
# President PVCu Square Dado Trunking



## Three Compartment

Cat No.	Description	Standard Pack Quantity
ASD 1	Trunking complete with lids	2 x 3m
<b>Accessories</b>		
ACS 1	Coupler	2
ATIS 1	Internal Angle	1
ATIS 1/45	Internal Angle 45° (Fabricated)	1
AES 1	External Angle c/w dividers	1
AES 1/45	External Angle c/w dividers 45° (Fabricated)	1
AECS 1	End Cap	2
AMCR 1	Cable Retainer, Centre	6
ASR 1	Cable Retainer, Square	6
AFA 1	Flat Angle	1
AFT 1	Flat Tee	1
ACO 1	Cross Over Unit (Fabricated)	1
ASB 1	Outlet Box, 1 Gang, 32mm	10
ASB 1V	Outlet box, 1 gang, 32mm, 4 Pillar	10
ASB 2	Outlet Box, 2 Gang, 32mm	10
ASB 3	Outlet Box, 3 Gang, 32mm	5
ASBC6 1	Outlet Box 1 Gang, 40mm	10
ASBC6 2	Outlet Box 2 Gang, 40mm	10
ASP 1	Outlet Plate, 1 Gang	15
ASP 2	Outlet Plate, 2 Gang	15
ALF 1	Centre Lid Spacer, 15mm	10
ABR 1	Bridge Piece, Square	2
ABR 3	Bridge Piece, Centre	2
AWPS 1	Wall Plate	2
ACGI	Internal Corner Guard	} For corner protection of data cables (centre)
ACGE 60	External Corner Guard	

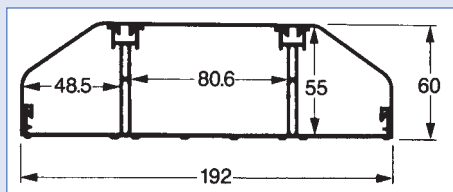
All fabricated fittings require couplers at joints. Internal and External angles are supplied complete with locking devices and caps. For close fitting of outlet boxes, lid spacer ALF 1 should be used.  
For EMC screening details please refer to page 22.



# President PVCu Chamfered Dado Trunking



ACD 2



## Three Compartment

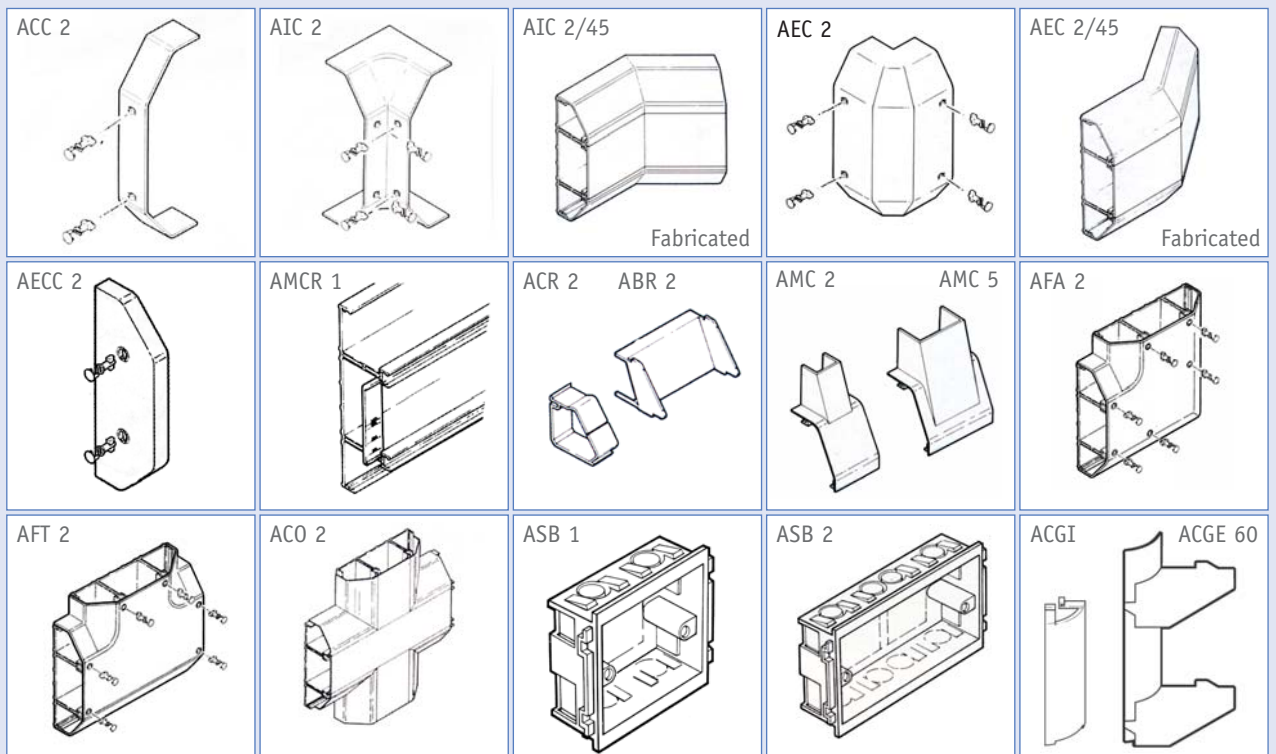
Cat No.	Description	Standard Pack Quantity
ACD 2	Trunking complete with lids	2 x 3m

### Accessories

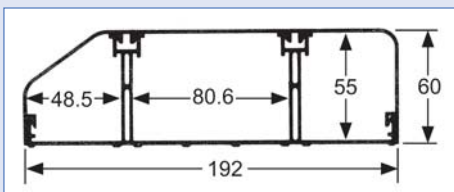
ACC 2	Coupler	2
AIC 2	Internal Angle	1
AIC 2/45	Internal Angle 45° (Fabricated)	1
AEC 2	External Angle c/w dividers	1
AEC 2/45	External Angle c/w dividers 45° (Fabricated)	1
AECC 2	End Cap	2
AMCR 1	Cable Retainer, Centre	6
ACR 2	Cable Retainer, Chamfered	6
AFA 2	Flat Angle	1
AFT 2	Flat Tee	1
ACO 2	Crossover Unit (Fabricated)	1
ASB 1	Outlet Box, 1 Gang, 32mm	10
ASB 1V	Outlet Box, 1 Gang, 32mm, 4 Pillars	10
ASB 2	Outlet Box, 2 Gang, 32mm	10
ASB 3	Outlet Box, 3 Gang, 32mm	5
ASBC6 1	Outlet Box 1 Gang, 40mm	10
ASBC6 2	Outlet Box 2 Gang, 40mm	10
ASP 1	Outlet Plate, 1 Gang	15
ASP 2	Outlet Plate, 1 Gang	15
ALF 1	Centre Lid Spacer, 15mm	10
ABR 2	Bridge Piece, Chamfered	2
ABR 3	Bridge Piece, Centre	2
AWPC 2	Wall Plate	2
ACGI	Internal Corner Guard	} For corner protection of data cables
ACGE 60	External Corner Guard	

All fabricated fittings require couplers at joints. Internal and External Angles are supplied complete with locking devices and caps. For close fitting of outlet boxes, lid spacer ALF1 should be used.

For EMC screening details, please refer to page 22.



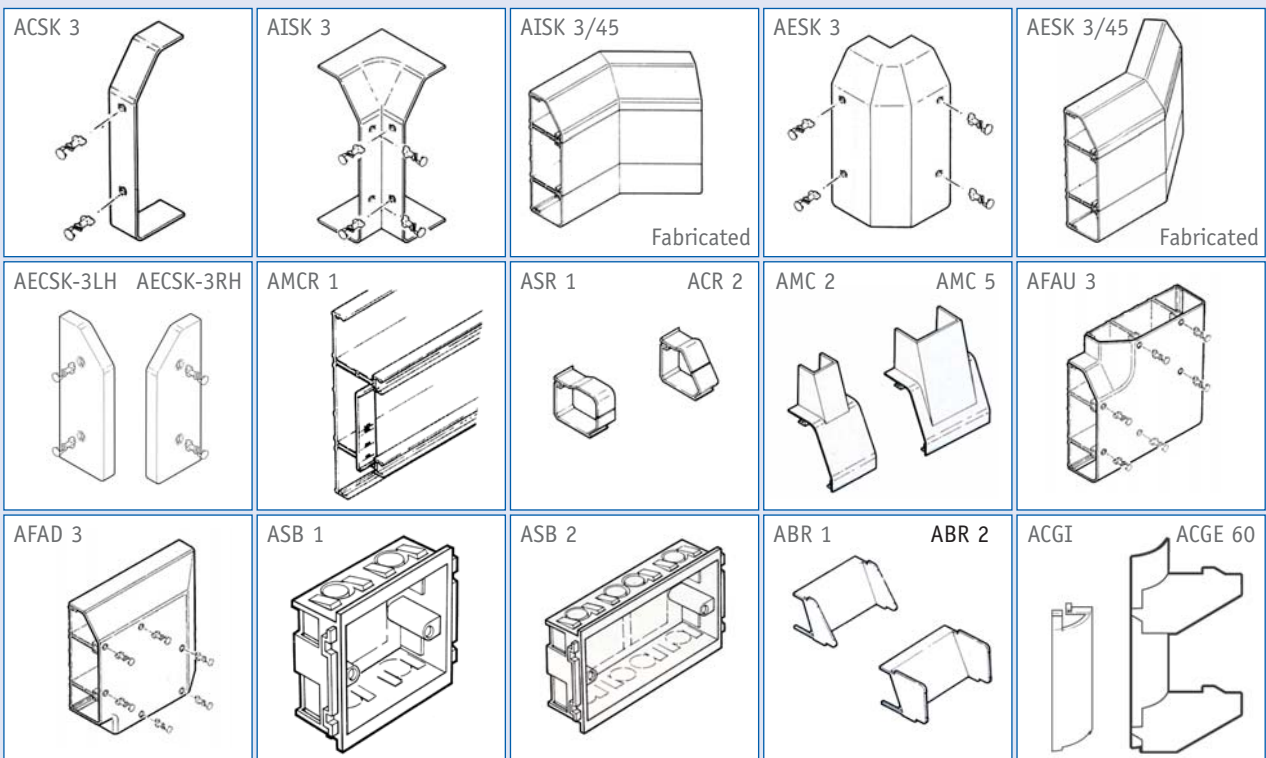
# President PVCu Skirting Trunking



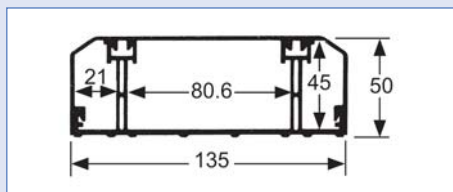
All fabricated fittings require couplers at joints. Internal and External Angles are supplied complete with locking devices and caps. For close fitting of outlet boxes, lid spacer ALF1 should be used. For EMC screening details, please refer to page 22.

## Three Compartment

Cat No.	Description	Standard Pack Quantity
ASKT 3	Trunking complete with lids	2 x 3m
<b>Accessories</b>		
ACSK 3	Coupler	2
AISK 3	Internal Angle	1
AISK 3/45	Internal Angle 45 (Fabricated)	1
AEC 2	External Angle c/w dividers	1
AESK 3/45	External Angle c/w dividers 45° (Fabricated)	1
AESCK-3LH	End Cap - Left Hand	2
AESCK-3RH	End Cap - Right Hand	2
AMCR 1	Cable Retainer, Centre	6
ACR 2	Cable Retainer, Chamfered	6
ASR 1	Cable Retainer, Square	6
AFAU 3	Flat Angle - Upward	1
AFAD 3	Flat Angle - Downward	1
AFTU 3	Flat Tee - Upward (Fabricated)	1
AFTD 3	Flat Tee - Downward (Fabricated)	1
ASB 1	Outlet Box, 1 Gang, 32mm	10
ASB 1V	Outlet box, 1 Gang, 32mm, 4 Pillars	10
ASB 2	Outlet Box, 2 Gang, 32mm	10
ASB 3	Outlet Box, 3 Gang, 32mm	5
ASBC6 1	Outlet Box 1 Gang, 40mm	10
ASBC6 2	Outlet Box 2 Gang, 40mm	10
ASP 1	Outlet Plate, 1 Gang	15
ASP 2	Outlet Plate, 2 Gang	15
ALF 1	Centre Lid Spacer, 15mm	10
ABR 1	Bridge Piece, Square	2
ABR 2	Bridge Piece, Chamfered	2
ABR 3	Bridge Piece, Centre	2
AWPSK 3	Wall Plate	2
ACGI	Internal Corner Guard	} For corner protection of data cables
ACGE 60	External Corner Guard	



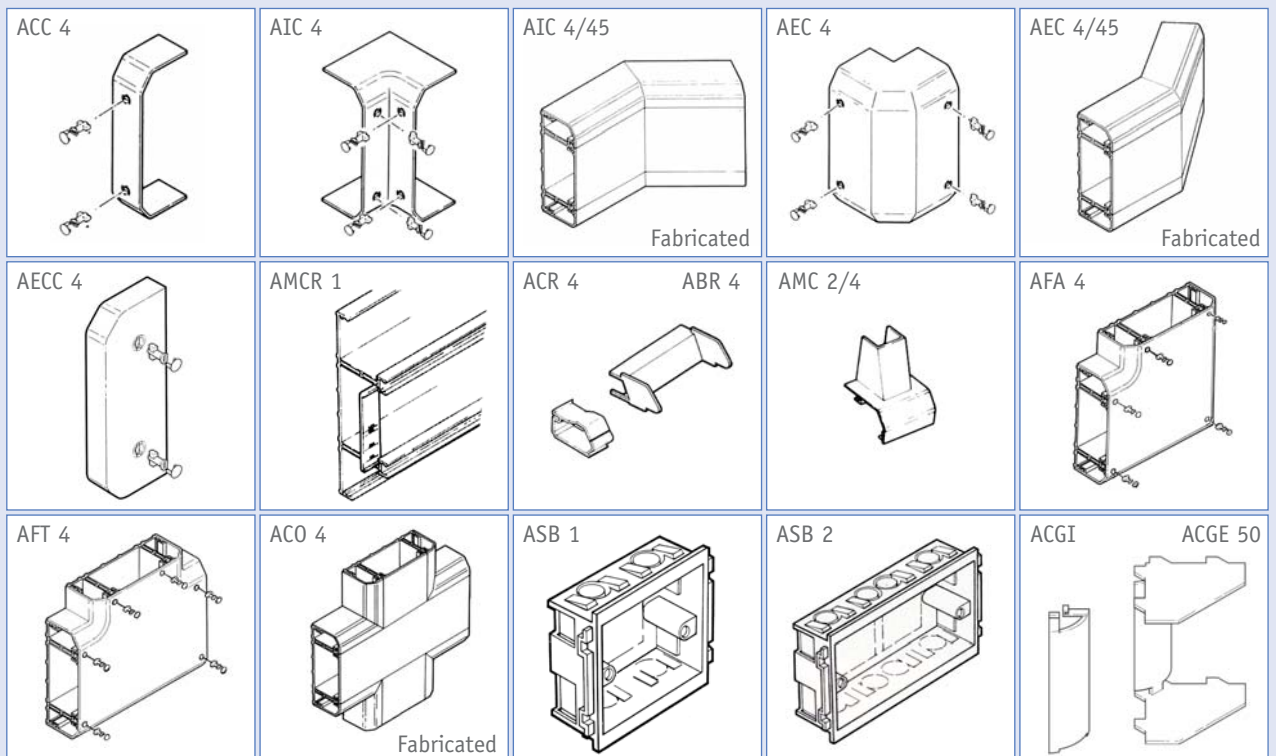
# President PVCu Chamfered Dado/Skirting Trunking



## Three Compartment

Cat No.	Description	Standard Pack Quantity
ACD 4	Trunking complete with lids	2 x 3m
<b>Accessories</b>		
ACC 4	Coupler	2
AIC 4	Internal Angle	1
AIC 4/45	Internal Angle 45° (Fabricated)	1
AEC 4	External Angle c/w dividers	1
AEC 4/45	External Angle c/w dividers 45° (Fabricated)	1
AECC 4	End Cap	2
AMCR 1	Cable Retainer, Centre	6
ACR 4	Cable Retainer	6
AMC 2/4	Mini Trunking Entry - CMT 2	2
AFA 4	Flat Angle (Fabricated)	1
AFT 4	Flat Tee (Fabricated)	1
ACO 4	Cross Over Unit (Fabricated)	1
ASB 1	Outlet Box, 1 Gang, 32mm	10
ASB 1V	Outlet Box, 1 Gang, 32mm, 4 Pillars	10
ASB 2	Outlet Box, 2 Gang, 32mm	10
ASB 3	Outlet Box, 3 Gang, 32mm	5
ASP 1	Outlet Plate, 1 Gang	15
ASP 2	Outlet Plate, 2 Gang	15
ALF 1	Centre Lid Spacer, 15mm	10
ABR 4	Bridge Piece	2
ABR 3/4	Bridge Piece, Centre	2
AWPC 4	Wall Plate	2
ACGI	Internal Corner Guard	} For corner protection of data cables
ACGE 50	External Corner Guard	

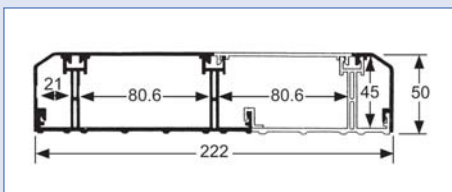
All fabricated fittings require couplers at joints. Internal and External Angles are supplied complete with locking devices and caps. For close fitting of outlet boxes, lid spacer ALF1 should be used.  
For EMC screening details, please refer to page 22.



# President PVCu Chamfered Dado/Skirting Trunking



ACD 5



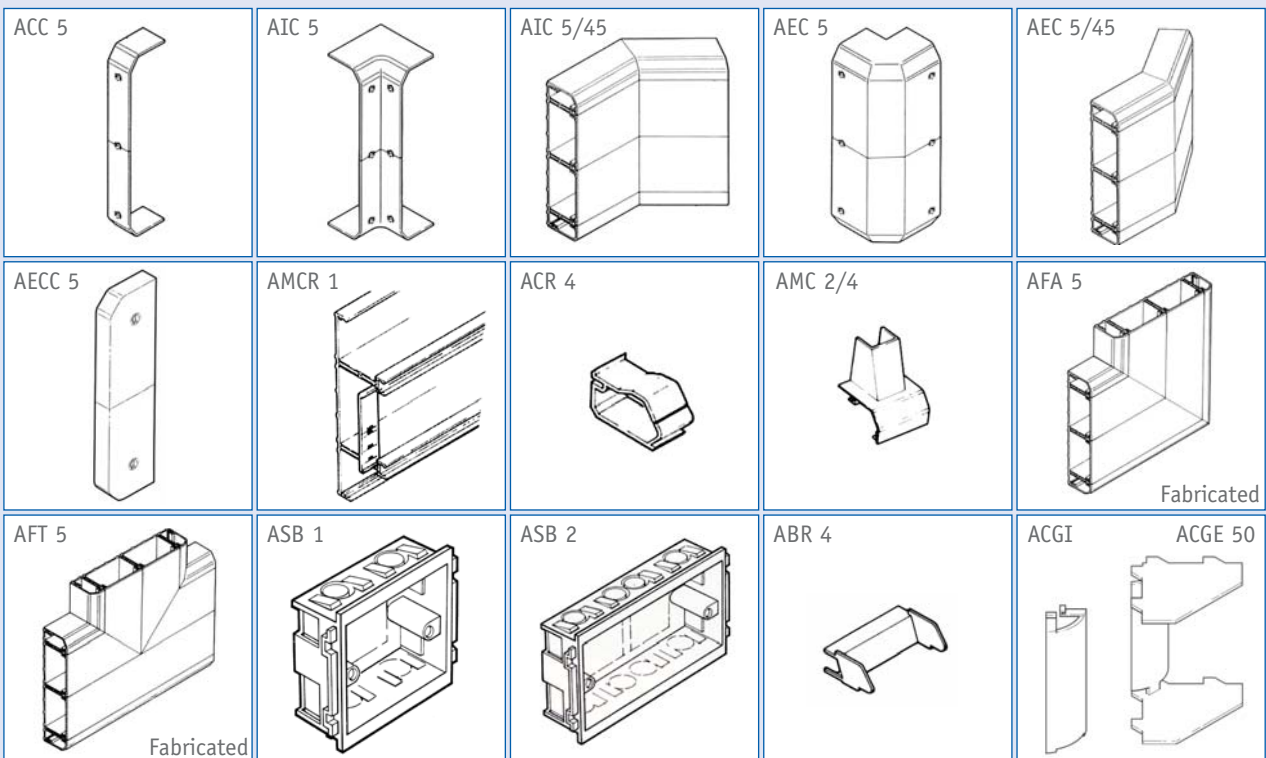
## Four Compartment

Cat No.	Description	Standard Pack Quantity
ACD 5	Trunking complete with lids	1 x 3m

### Accessories

ACC 5	Coupler	2
AIC 5	Internal Angle	1
AIC 5/45	Internal Angle 45° (Fabricated)	1
AEC 5	External Angle c/w dividers	1
AEC 5/45	External Angle c/w dividers 45° (Fabricated)	1
AECC 5	End Cap	2
AMCR 1	Cable Retainer, Centre	6
ACR 4	Cable Retainer	6
AMC 2/4	Mini Trunking Entry - CMT 2	2
AFA 5	Flat Angle (Fabricated)	1
AFT 5	Flat Tee (Fabricated)	1
ASB 1	Outlet Box, 1 Gang, 32mm	10
ASB 1V	Outlet Box, 1 Gang, 32mm, 4 Pillars	10
ASB 2	Outlet Box, 2 Gang, 32mm	10
ASB 3	Outlet Box, 3 Gang, 32mm	5
ALF 1	Centre Lid Spacer. 15mm	10
ASP 1	Outlet Plate, 1 Gang	15
ASP 2	Outlet Plate, 2 Gang	15
ABR 4	Bridge Piece	2
ABR 3/4	Bridge Piece, Centre	2
AWPC 5	Wall Plate	2
ACGI	Internal Corner Guard	} For corner protection of data cables
ACGE 50	External Corner Guard	

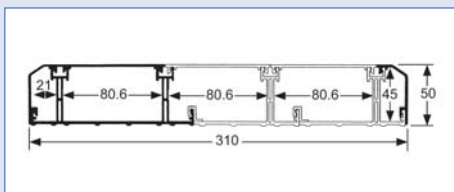
All fabricated fittings require couplers at joints. Internal and External Angles are supplied complete with locking devices and caps. For close fitting of outlet boxes, lid spacer ALF1 should be used. For EMC screening details, please refer to page 22.



# President PVCu Chamfered Dado/Skirting Trunking



ACD 6



## Five Compartment

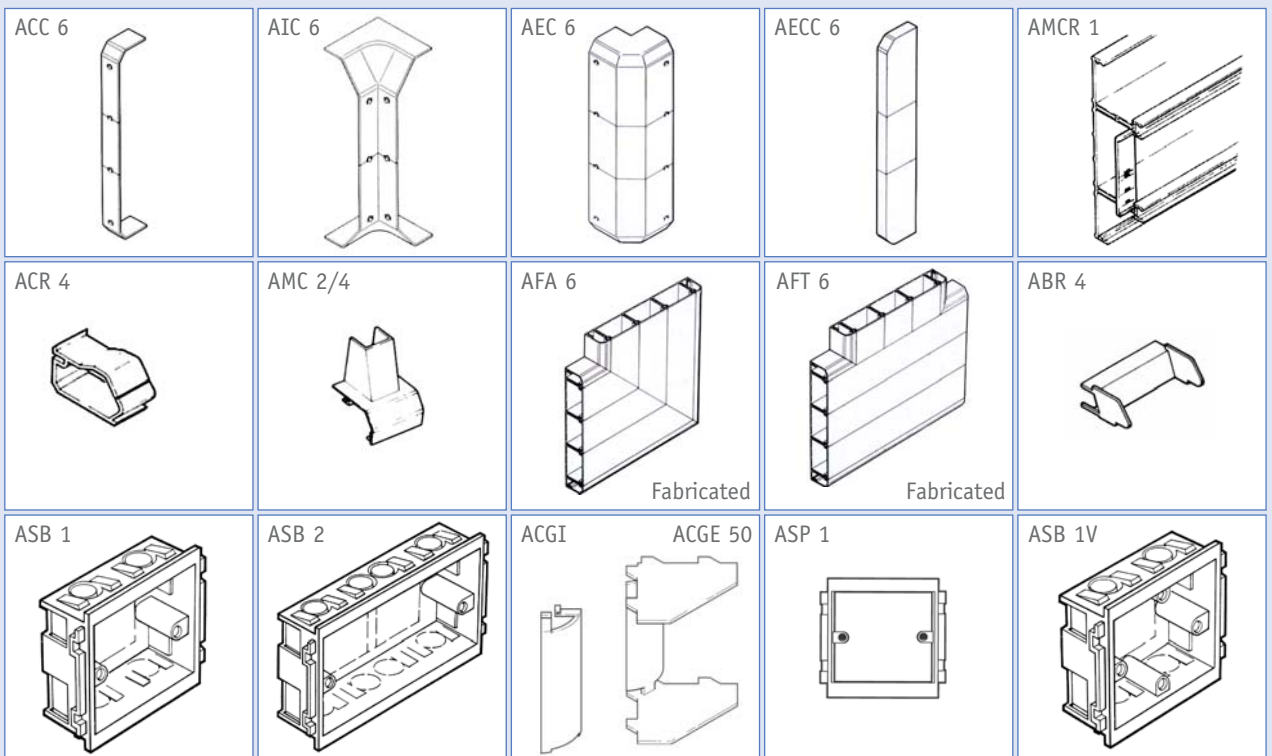
Cat No.	Description	Standard Pack Quantity
ACD 6	Trunking complete with lids.	1 x 3m

### Accessories

ACC 6	Coupler	2
AIC 6	Internal Angle	1
AIC 6/45	Internal Angle 45° (Fabricated)	1
AEC 6	External Angle c/w dividers	1
AEC 6/45	External Angle c/w dividers 45° (Fabricated)	1
AECC 6	End Cap	2
AMCR 1	Cable Retainer, Centre	6
ACR 4	Cable Retainer	6
AMC 2/4	Mini Trunking Entry - CMT 2	2
AFA 6	Flat Angle (Fabricated)	1
AFT 6	Flat Tee (Fabricated)	1
ASB 1	Outlet Box, 1 Gang, 32mm	10
ASB 1V	Outlet Box, 1 Gang, 32mm, 4 Pillars	10
ASB 2	Outlet Box, 2 Gang, 32mm	10
ASB 3	Outlet Box, 3 Gang, 32mm	5
ALF 1	Centre Lid Spacer, 15mm	10
ASP 1	Outlet Plate, 1 Gang	15
ASP 2	Outlet Plate, 1 Gang	15
ABR 4	Bridge Piece	2
ABR 3/4	Bridge Piece, Centre	2
AWPC 6	Wall Plate	2
ACGI	Internal Corner Guard	} For corner protection of data cables
ACGE 50	External Corner Guard	

All fabricated fittings require couplers at joints. Internal and External Angles are supplied complete with locking devices and caps. For close fitting of outlet boxes, lid spacer ALF1 should be used.

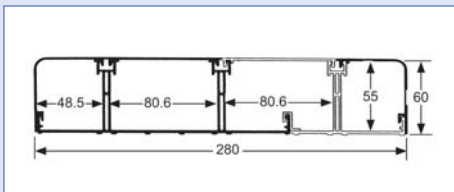
For EMC screening details, please refer to page 22.



# President PVCu Square Dado Trunking



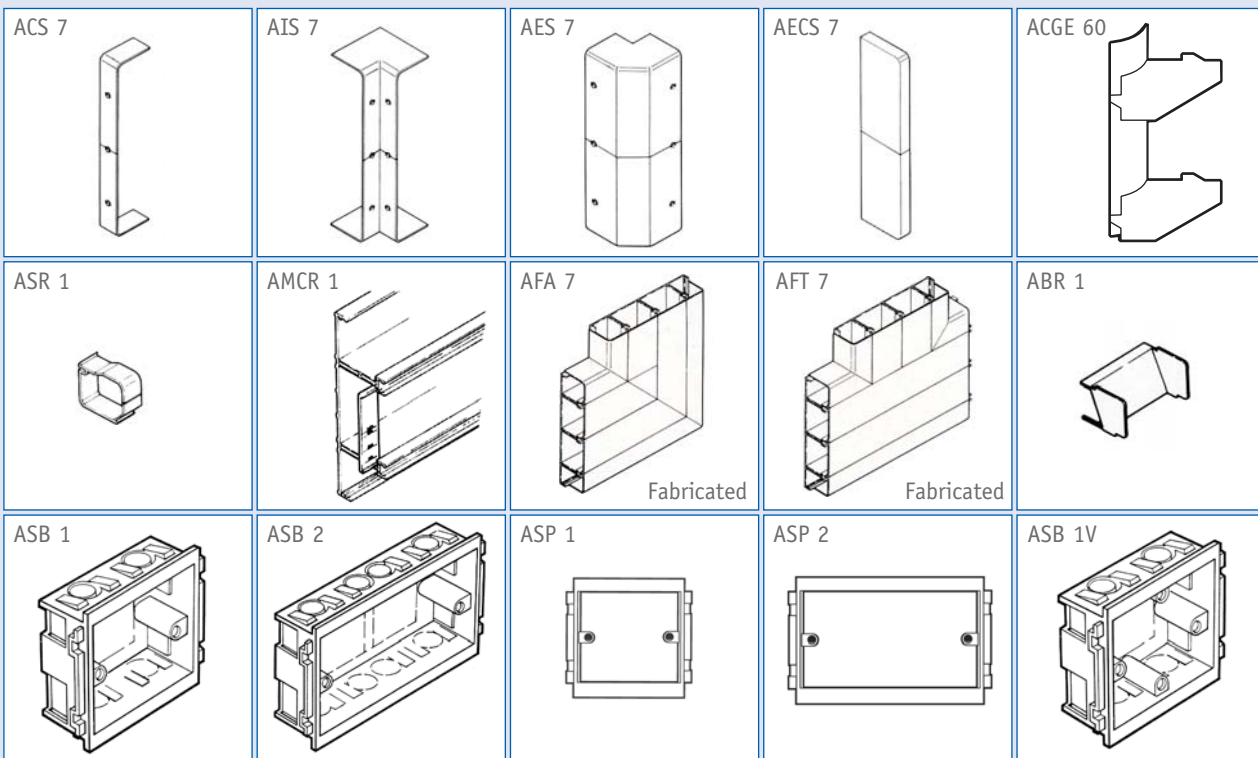
ASD 7



## Four Compartment

Cat No.	Description	Standard Pack Quantity
ASD 7	Trunking complete with lids.	1 x 3m
<b>Accessories</b>		
ACS 7	Coupler	2
AIS 7	Internal Angle	1
AIS 7/45	Internal Angle 45° (Fabricated)	1
AES 7	External Angle c/w dividers	1
AES 7/45	External Angle c/w dividers 45° (Fabricated)	1
AECS 7	End Cap	2
AMCR 1	Cable Retainer, Centre	6
ASR 1	Cable Retainer, Square	6
AFA 7	Flat Angle (Fabricated)	1
AFT 7	Flat Tee (Fabricated)	1
ASB 1	Outlet Box, 1 Gang, 32mm	10
ASB 1V	Outlet Box, 1 Gang, 32mm, 4 Pillars	10
ASB 2	Outlet Box, 2 Gang, 32mm	10
ASB 3	Outlet Box, 3 Gang, 32mm	5
ASBC6 1	Outlet Box 1 Gang, 40mm	10
ASBC6 2	Outlet Box 2 Gang, 40mm	10
ASP 1	Outlet Plate, 1 Gang	15
ASP 2	Outlet Plate, 2 Gang	15
ALF 1	Centre Lid Spacer, 15mm	10
ABR 1	Bridge Piece, Square	2
ABR 3	Bridge Piece, Centre	2
AWPS 7	Wall Plate	2
ACGI	Internal Corner Guard	} For corner protection of data cables
ACGE 60	External Corner Guard	

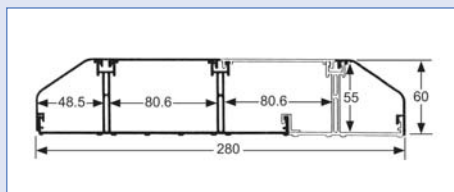
All fabricated fittings require couplers at joints. Internal and External Angles are supplied complete with locking devices and caps. For close fitting of outlet boxes, lid spacer ALF1 should be used. For EMC screening details, please refer to page 22.



# President PVCu Chamfered Dado Trunking



ACD 8



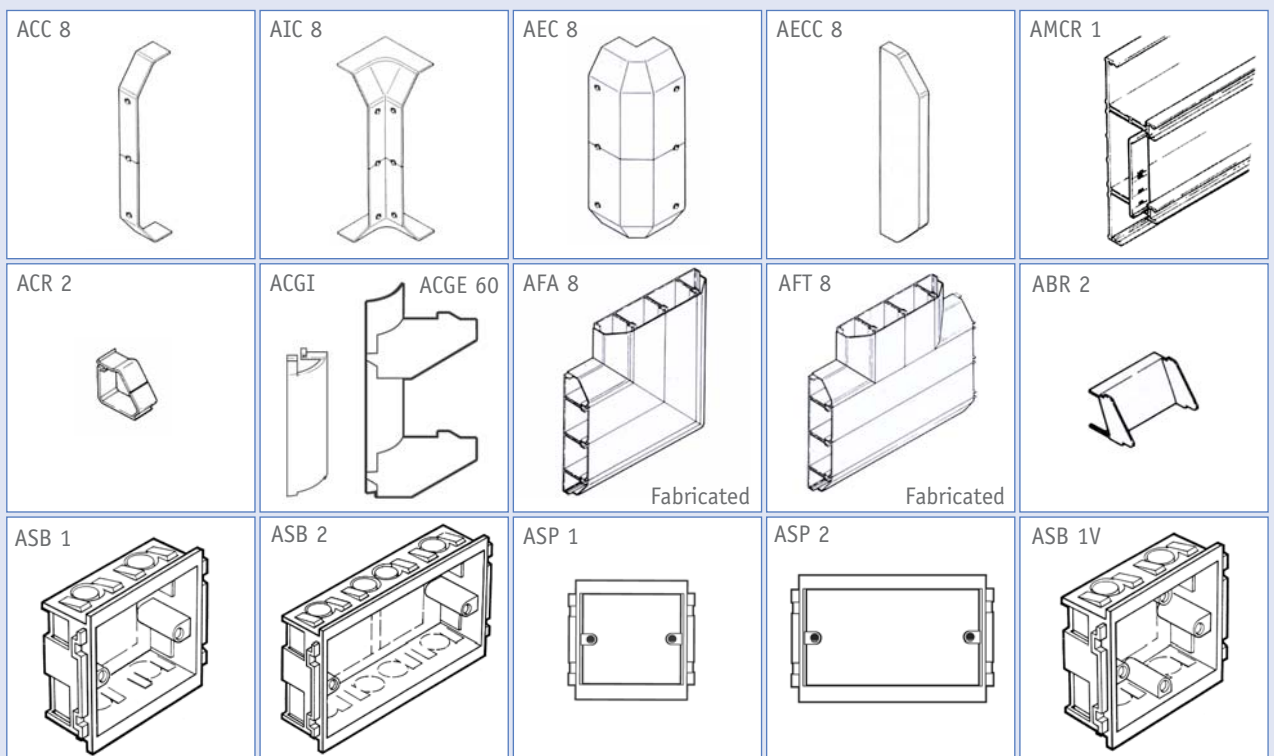
## Four Compartment

Cat No.	Description	Standard Pack Quantity
ACD 8	Trunking complete with lids.	1 x 3m

### Accessories

ACC 8	Coupler	2
AIC 8	Internal Angle	1
AIC 8/45	Internal Angle 45° (Fabricated)	1
AEC 8	External Angle c/w dividers	1
AEC 8/45	External Angle c/w dividers 45° (Fabricated)	1
AECC 8	End Cap	2
AMCR 1	Cable Retainer, Centre	6
ACR 2	Cable Retainer, Chamfered	6
AFA 8	Flat Angle (Fabricated)	1
AFT 8	Flat Tee (Fabricated)	1
ASB 1	Outlet Box, 1 Gang, 32mm	10
ASB 1V	Outlet Box, 1 Gang, 32mm, 4 Pillars	10
ASB 2	Outlet Box, 2 Gang, 32mm	10
ASB 3	Outlet Box, 3 Gang, 32mm	5
ASBC6 1	Outlet Box 1 Gang, 40mm	10
ASBC6 2	Outlet Box 2 Gang, 40mm	10
ASP 1	Outlet Plate, 1 Gang	15
ASP 2	Outlet Plate, 2 Gang	15
ALF 1	Centre Lid Spacer, 15mm	10
ABR 2	Bridge Piece, Chamfered	2
ABR 3	Bridge Piece, Centre	2
AWPC 8	Wall Plate	2
ACGI	Internal Corner Guard	} For corner protection of data cables
ACGE 60	External Corner Guard	

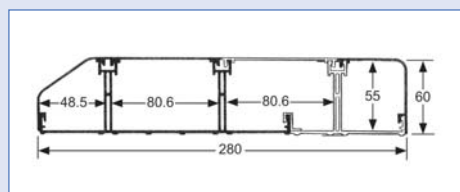
All fabricated fittings require couplers at joints. Internal and External Angles are supplied complete with locking devices and caps. For close fitting of outlet boxes, lid spacer ALF1 should be used. For EMC screening details, please refer to page 22.



# President PVCu Skirting Trunking



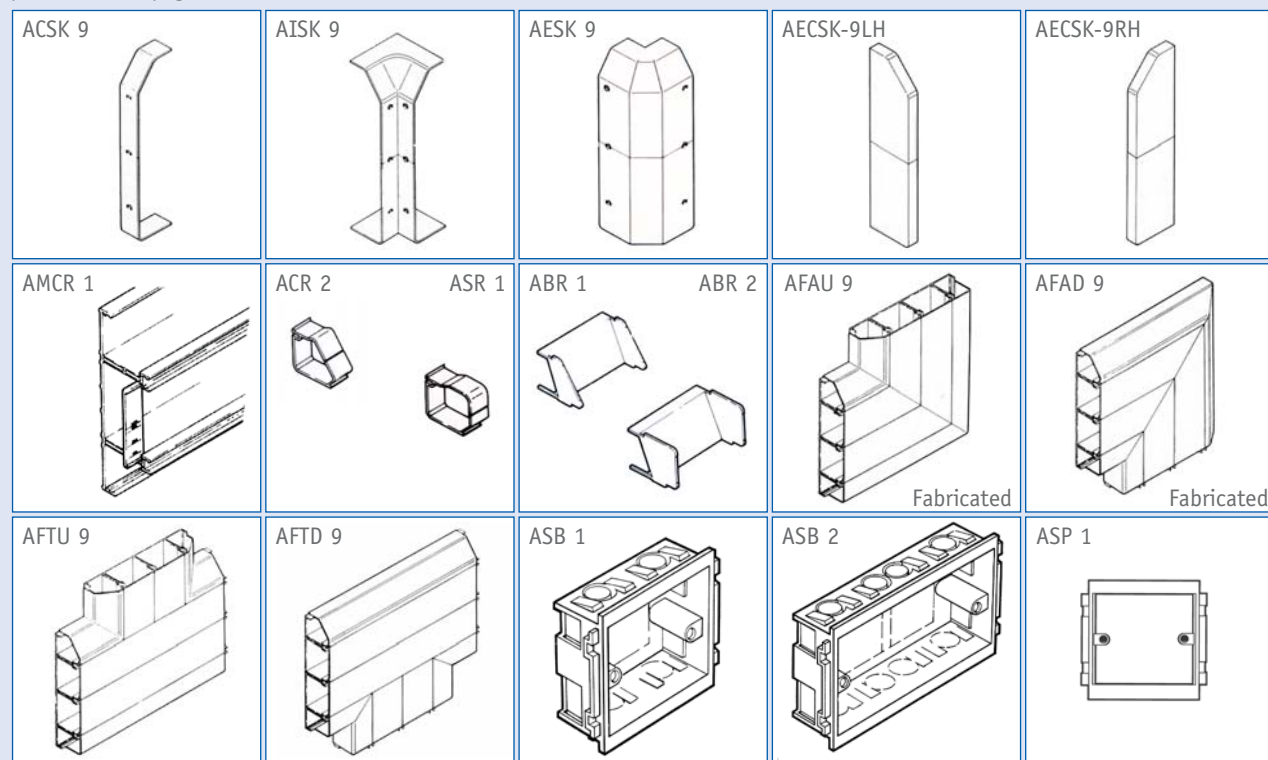
ASKT 9



All fabricated fittings require couplers at joints. Internal and External Angles are supplied complete with locking devices and caps. For close fitting of outlet boxes, lid spacer ALF1 should be used. For EMC screening details, please refer to page 22.

## Four Compartment

Cat No.	Description	Standard Pack Quantity
ASKT 9	Trunking complete with lids.	1 x 3m
<b>Accessories</b>		
ACSK 9	Coupler	2
AISK 9	Internal Angle	1
AISK 9/45	Internal Angle 45° (Fabricated)	1
AESK 9	External Angle c/w dividers	1
AESK 9/45	External Angle c/w dividers 45° (Fabricated)	1
AESCK 9LH	End Cap, Left Hand	2
AESCK 9RH	End Cap, Right Hand	2
AMCR 1	Cable Retainer, Centre	6
ACR 2	Cable Retainer, Chamfered	6
ASR 1	Cable Retainer, Square	6
AFAU 9	Flat Angle - Upward (Fabricated)	1
AFAD 9	Flat Angle - Downward (Fabricated)	1
AFTU 9	Flat Tee - Upward (Fabricated)	1
AFTD 9	Flat Tee - Downward (Fabricated)	1
ASB 1	Outlet Box, 1 Gang, 32mm	10
ASB 1V	Outlet Box, 1 Gang, 32mm, 4 Pillars	10
ASB 2	Outlet Box, 2 Gang, 32mm	10
ASB 3	Outlet Box, 3 Gang, 32mm	5
ASBC6 1	Outlet Box 1 Gang, 40mm	10
ASBC6 2	Outlet Box 2 Gang, 40mm	10
ASP 1	Outlet Plate, 1 Gang	15
ASP 2	Outlet Plate, 2 Gang	15
ALF 1	Centre Lid Spacer, 15mm	10
ABR 1	Bridge Piece, Square	2
ABR 2	Bridge Piece, Chamfered	2
ABR 3	Bridge Piece, Centre	2
AWPSK 9	Wall Plate	2
ACGI	Internal Corner Guard	} For corner protection of data cables
ACGE 60	External Corner Guard	



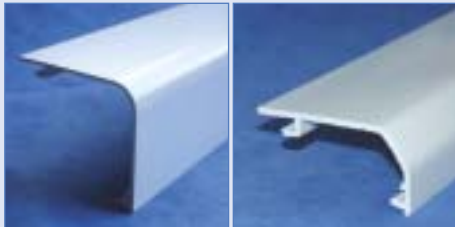


# President PVCu Profiles & Accessories



AB 1

AB 4



ASQ 1

ACH 4



ACH 1

ACL 1



ABB 1

ABB 4

## Separate Profiles

Cat No.	Description	Standard Pack Quantity
AB 1	Base Unit	2 x 3m
ASQ 1	Square Lid	4 x 3m
ACH 1	Chamfered Lid	4 x 3m
ACL 1	Centre Lid	4 x 3m
AB 4	Base Unit (ACD4)	2 x 3m
ACH 4	Chamfered Lid (ACD4)	4 x 3m
ABX 1	Large Profile Extension – Base only	1 x 3m
ABX 4	Small Profile Extension – Base only	1 x 3m
AXT 1	Large Profile Extension – c/w Centre Lid	1 x 3m
AXT 4	Small Profile Extension – c/w Centre Lid	1 x 3m

## Accessories

### Segregated Flush Back Entry Box

ABB 1	60mm Deep Trunking	1
ABB 4	50mm Deep Trunking	1

### Mini Trunking and Conduit Entry

AMS 2	Mini Trunking Entry - CMT 2 Square Lid	1
AMS 5	Mini Trunking Entry - CMT 5 Square Lid	1
AMC 2	Mini Trunking Entry - CMT 2 Chamfered Lid	1
AMC 5	Mini Trunking Entry - CMT 5 Chamfered Lid	1
ACES 20	Conduit Entry 20mm - Square Lid	1
ACES 25	Conduit Entry 25mm - Square Lid	1
ACEC 20	Conduit Entry 20mm - Chamfered Lid	1
ACEC 25	Conduit Entry 25mm - Chamfered Lid	1
ACEC 20/4	Conduit Entry 20mm - ACD 4	1
ACEC 25/4	Conduit Entry 25mm - ACD 4	1

### Pod Accessory

AECP 2	Pod Extension Caps, Chamfered (LH and RH)	1 pack
AXT 1	Large profile Extension, complete with centre lid	1 x 3m

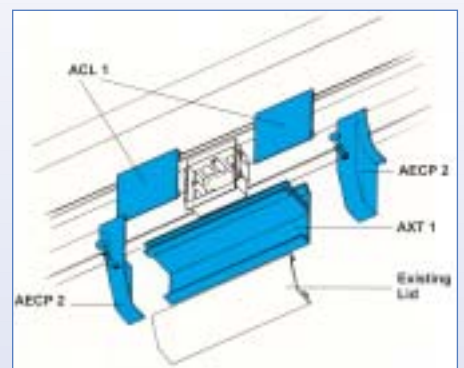
## President PVCu Pod Accessory



For use on chamfered compartments on large profile (192mm) only. The Centaur President Pod Accessory, Cat. No. AECP2 allows for the easy creation of a local extension (above or below the trunking run) where accessories are required.

The AXT1 pack contains one length of centre lid and one length of extension 3 metres long. These can be cut to the required pod size. For large projects the pod can be pre-cut to order. The chamfered lid from the original trunking run is used for the pod extension outer lid.

Special accessories can be fabricated to order. For the awkward installation ask about the special fabrication service provided.



# President PVCu Profiles & Accessories



AMB 24

BLL 1



110SP/ASB 1

APC 10

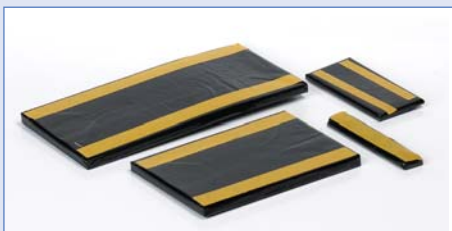


Extension Collars



ALD 1

ALD 2



Fire Barriers



Earth Bonding Items

## CE LOW VOLTAGE DIRECTIVE (LVD)

Centaur products or the relevant packaging will be marked, where applicable, to confirm that the products meet the necessary requirements of the Low Voltage Directive.

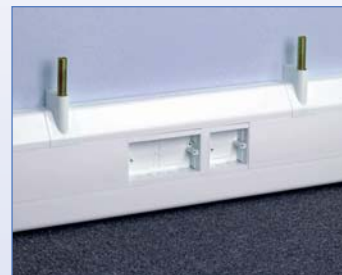
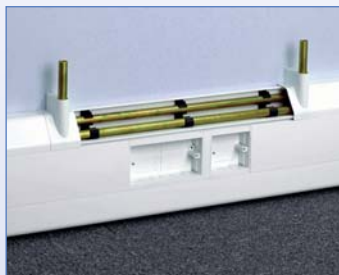
## Accessories (cont.)

Cat No.	Description	Standard Pack Quantity
<b>Adaptors</b>		
ADP 1/4	Adaptor, ASD 1 to ACD 4	1
ADP 2/1	Adaptor, ACD 2 to ASD 1	1
ADP 3/1LH	Adaptor, ASKT 3 to ASD 1 Left Hand	1
ADP 3/1RH	Adaptor, ASKT 3 to ASD 1 Right Hand	1
ADP 3/2LH	Adaptor, ASKT 3 to ACD 2 Left Hand	1
ADP 3/2RH	Adaptor, ASKT 3 to ACD 2 Right Hand	1
<b>Extension Collars</b>		
ECR 110	1 Gang, Round Corners, 10mm	10
ECS 110	1 Gang, Square Corners, 10mm	10
ECR 210	2 Gang, Round Corners, 10mm	10
ECS 210	2 Gang, Square Corners, 10mm	10
<b>Industrial Socket Outlet Boxes</b>		
110SP/ASB 1	Box & Plate - PVCu (For BS4343 Sockets)	1
AMB 24	Box & Plate - Metal (For BS4343 Sockets) (Contact Technical for Size & Fixing Centres)	1
<b>Bedhead Lamp Outlet Box</b>		
BLL 1	Box & Plate - Metal (For Bedhead Lamp)	1
<b>Adhesive</b>		
SA 3	Adhesive (20gm Bottle) Superfast	1
<b>Spares</b>		
ALD 1	Locking Device with Cap	100
ALD 2	Locking Device for External Fittings	100
TP 6/25	Tamper Screw with Cap	100
DBTP 6/25	Driver Bit (For Tamper Screw)	1
ALS 6	Self Tapping Screw	100
AFIRE/L	Fire Barrier Pack	1
AMH 1	MCB/RCD Housing	1
ATU 1	Threshold Unit	1
APM 1BL	Contrast Plate - Blue	20
<b>Pipe Encasement (60mm Deep Trunking)</b>		
APC 10	10mm two pipe clip	50
APC 15	15mm two pipe clip	50
AFP 15	Pipe Entry - Chamfered	2

Special accessories can be fabricated to order. For the awkward installation ask about the special fabrication service provided. An installation guide is available from your stockist or direct from Centaur.

## Pipe Encasement - 60mm Deep Trunking

Pipes to a working temperature of 80°C can be installed in the 60mm deep profile trunking using the pipe clips APC10 (for 2 x 10mm pipes) or APC15 (for 2 x 15mm pipes). Pipes should not be allowed to come into contact with the trunking walls. It is recommended that the clips are installed at approximately one metre intervals along the length of the trunking.



# President PVCu EMC Screening



## Metal Screen Insert

Metal EMC screening insert can be located into the top or middle compartments of a three compartment trunking. Available for both 50mm and 60mm deep President profiles.

Cat No.	Description	Standard Pack Quantity
ASI	Metal Screen Insert (60mm)	10 x 3m
ASI/4	Metal Screen Insert (50mm)	10 x 3m
ASI/X	External Corner Inset (60mm)	1
ASI/4X	External Corner Inset (50mm)	1
ALS 6	Self Tapping Screw	100
ASG 1	16mm Grommet	10
ASB 1/S	Outlet Box, 1 Gang, 32mm - Screened	10
ASB 2/S	Outlet Box, 2 Gang, 32mm - Screened	10

Installation Guide, available on request.



## Spray Coated Screening

Compartments of Centaur President trunking can be spray coated to achieve a good EMC protection for data cables.

The spray coated shielding is effective across the frequency band 30 MHz to 1000 MHz as tested by an independent laboratory.

TRL. EMC 5888/1184.

To order spray coated screened trunking and accessories add suffix S to standard codes. e.g. ACD 4 becomes ACD 4/S

### Accessory

BBS 2ST	Earth Lead with Self Tapping Screw	10
---------	------------------------------------	----

### WARNING

Spray coated compartments **SHOULD NOT** be used in contact with low voltage circuits BS7671 (1992) 50V A.C. - 1000V A.C.



## Aluminium Screening Inserts

Aluminium inserts can be fitted to the 192mm size profiles providing an excellent screening protection against electromagnetic interference. For correct performance the inserts should be linked and grounded using bonding strip BBS1.

Cat No.	Description	Standard Pack Quantity
ASSC 1	Square Aluminium screening insert	1 x 3m
ASAC 2	Chamfered Aluminium screening insert	1 x 3m
ASCC 3	Centre Aluminium screening insert	1 x 3m

### Accessories

ASXI 1	Internal Angle Square	1
ASXI 2	Internal Angle Chamfered	1
ASXE 1	External Angle Square	1
ASXE 2	External Angle Chamfered	1
ASX0	Outlet Assembly	1
BBS 1	Earth Strap	10
BBS 2	Earth Lead	10
ASG 1	16mm Grommet	10

# President PVCu Technical Information



Centaur President three compartment trunking system is manufactured in accordance with the requirements of BS 4678, Part 4 (1982) and enables the installer to comply with BS 7671 (IEE wiring regulations).

## Chemical Resistance

The PVCu material used in the manufacture of President trunking systems is resistant to most organic chemicals, solutions of organic acids, alkalis and salts. It may possibly be softened by some organic materials such as ketones and aromatic compounds. If in doubt please contact Centaur Technical Department.

## Strength

High impact resistance. The material is formulated to comply with the  $-5^{\circ}\text{C}$  clause of BS 4678 Part 4 (1982), Cable Trunking Standard.

## Fire Resistance

The materials used in Centaur President trunking system are non-flame propagating and comply with the requirements of BS 476 Part 7 and BS 4678 Part 4. Centaur Fire Barrier, ref AFIRE/L, complies with BS 476, Part 22.

## Thermal Properties

President systems are designed to accommodate local thermal expansion and contraction. The coefficient of linear expansion:  $7.0 \times 10^{-5}$  operating temperatures  $-5^{\circ}\text{C}$  to  $60^{\circ}\text{C}$ .

## Colours

Stock colour: Centaur White, other colours subject to availability.

## Designer Finishes

Centaur President PVCu trunking is available in light oak or mahogany wood effect finish with colour co-ordinated fittings.

## Part M Compliant Coloured Contrast Plate

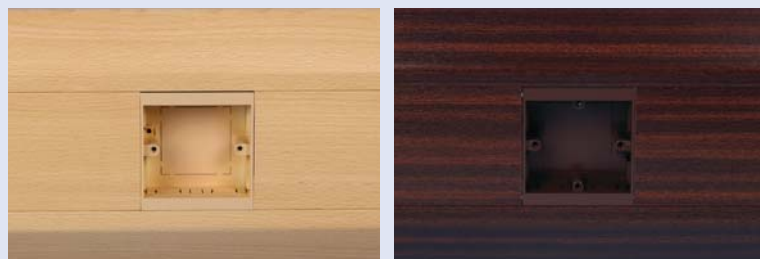


Coloured Lid

As an alternative to using coloured centre lid, coloured contrast plates can be used to aid location of switches and sockets for the visually impaired. (Cat No. APM 1BL)

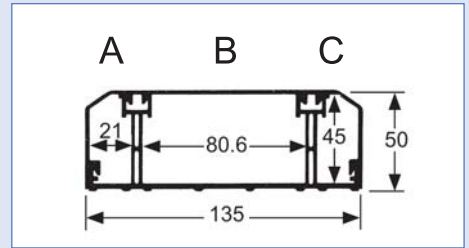


Contrast Plates



# President PVCu Cable Capacity

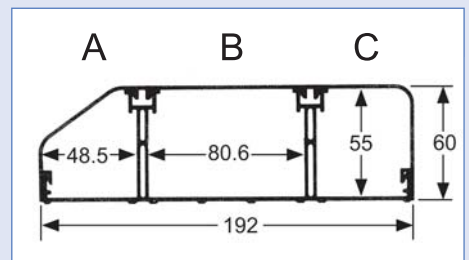
President Cable Capacity ACD 4					
Type of Conductor	Size mm <sup>2</sup>	Cable Factor	CapacityA @45% full	CapacityB @45% full	CapacityC @45% full
PVC Power Stranded	1.5 mm <sup>2</sup>	8.6	39	i-183; ii-53 iii-33; iv-121 v-141	39
PVC Power Stranded	2.5 mm <sup>2</sup>	12.6	27	i-125; ii-36 iii-22; iv-83 v-96	27
PVC Power Stranded	4.0 mm <sup>2</sup>	16.6	20	i-195; ii-27 iii-17; iv-63 v-73	20
PVC Power Stranded	6.0 mm <sup>2</sup>	21.2	16	i-74; ii-21 iii-13; iv-49 v-57	16
Cat. 6 UTP	*6.5 dia.	42.2	8	i-37; ii-11 iii-6; iv-25 v-29	8
Cat.6 STP	*7.0 dia.	49.0	7	i-32; ii-9 iii-5; iv-21 v-25	7



\* Typical values for guideline purposes only

- i denotes no outlet box fitted in compartment
- ii denotes 32mm deep outlet box fitted in compartment
- iii denotes 40mm deep outlet box fitted in compartment
- iv denotes 50mm radius corner guard fitted in compartment for internal/external angles
- v denotes 50mm radius corner guard protection fitted in compartment for flat angles

President Cable Capacity ASD 1/ACD 2/ASKT 3					
Type of Conductor	Size mm <sup>2</sup>	Cable Factor	CapacityA @45% full	CapacityB @45% full	CapacityC @45% full
PVC Power Stranded	1.5 mm <sup>2</sup>	8.6	i-101 iv-64; v-61	i-225; ii-90 iii-71; iv-163 v-170	i-128; iv-97; v-80
PVC Power Stranded	2.5 mm <sup>2</sup>	12.6	i-69 iv-44; v-42	i-153; ii-61 iii-48; iv-111 v-115	i-87 iv-66; v-54
PVC Power Stranded	4.0 mm <sup>2</sup>	16.6	i-52 iv-33; v-32	i-116; ii-47 iii-36; iv-84 v-87	i-66 iv-50; v-41
PVC Power Stranded	6.0 mm <sup>2</sup>	21.2	i-41 iv-25; v-21	i-91; ii-36 iii-28; iv-66 v-68	i-52 iv-39; v-32
Cat. 6 UTP	*6.5 dia.	42.2	i-21 iv-13; v-12	i-46; ii-18 iii-14; iv-33 v-35	i-26 iv-20; v-16
Cat.6 STP	*7.0 dia.	49.0	i-18 iv-11; v-10	i-39; ii-16 iii-12; iv-28 v-30	i-22; iv-17 v-13



\* Typical values for guideline purposes only

- i denotes no outlet box fitted in compartment
- ii denotes 32mm deep outlet box fitted in compartment
- iii denotes 40mm deep outlet box fitted in compartment
- iv denotes 50mm radius corner guard fitted in compartment for internal/external angles
- v denotes 50mm radius corner guard protection fitted in compartment for flat angles