



MINI TRUNKING



C E N T A U R L E A D I N G W I T H I N N O V A T I O N



Mini Trunking System

Unique Design

The unique design of Centaur Mini-Trunking, incorporates the special 'SUPER-CLIP' lid which defies accidental removal.

The trunking is manufactured to BS 4678 Part 4 where relevant. Standard colour white, colours can be supplied subject to availability and quantity required.

Surface Boxes

The design of Centaur Surface boxes and adaptors include refinements which give clean exterior lines when the knockout is not in use. After removing the knockout trim with a Stanley knife and clip in the fitting required. The fittings are designed to fit close to architectural features such as architraves and skirting and to harmonise perfectly with the clean lines of Centaur Mini Trunking

Design Features:

- Unique anti-tamper locking lid provides a clean, unfussy exterior to the trunking and extra strength to the integral cross section.
- Firm locking action defies accidental removal.
- Two sizes available in twin compartment.
- Choice of standard or self adhesive backed.
- Self adhesive dividers, available in various sizes.
- Full range of moulded accessories, offering quick and easy installation.
- Moulded fittings are designed to fit close to architectural features, such as architrave and skirting.



Mini Trunking



Mini Trunking

Description
Trunking Complete with Lid
Trunking Complete with Lid (Self Adhesive)

Accessories

Internal Bend
External Bend
Flat Bend
Coupler
End Cap
Equal Tee

16mm x 10mm

Cat No.	Standard Pack Qty
CMT 0	40 x 3m
CMT OSA	40 x 3m

Accessories

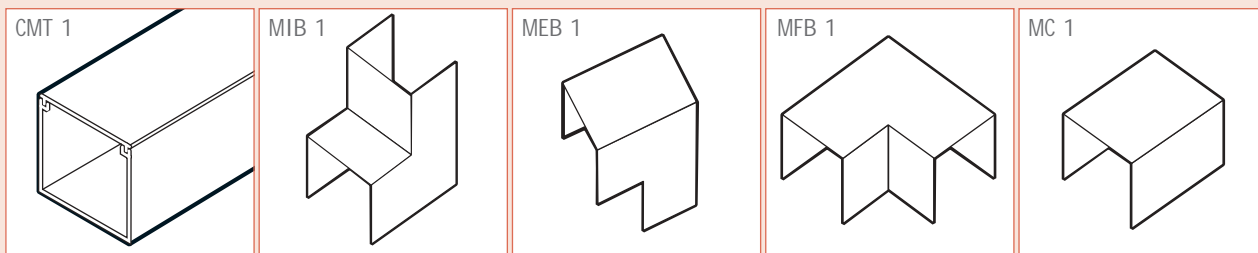
MIB 0	50
MEB 0	50
MFB 0	60
MC 0	60
MEC 0	100
MT 0-0	50

16mm x 16mm

Cat No.	Standard Pack Qty
CMT 1	20 x 3m
CMT 1SA	20 x 3m

Accessories

MIB 1	50
MEB 1	50
MFB 1	60
MC 1	60
MEC 1	100
MT 1-1	50





Mini Trunking

Mini Trunking

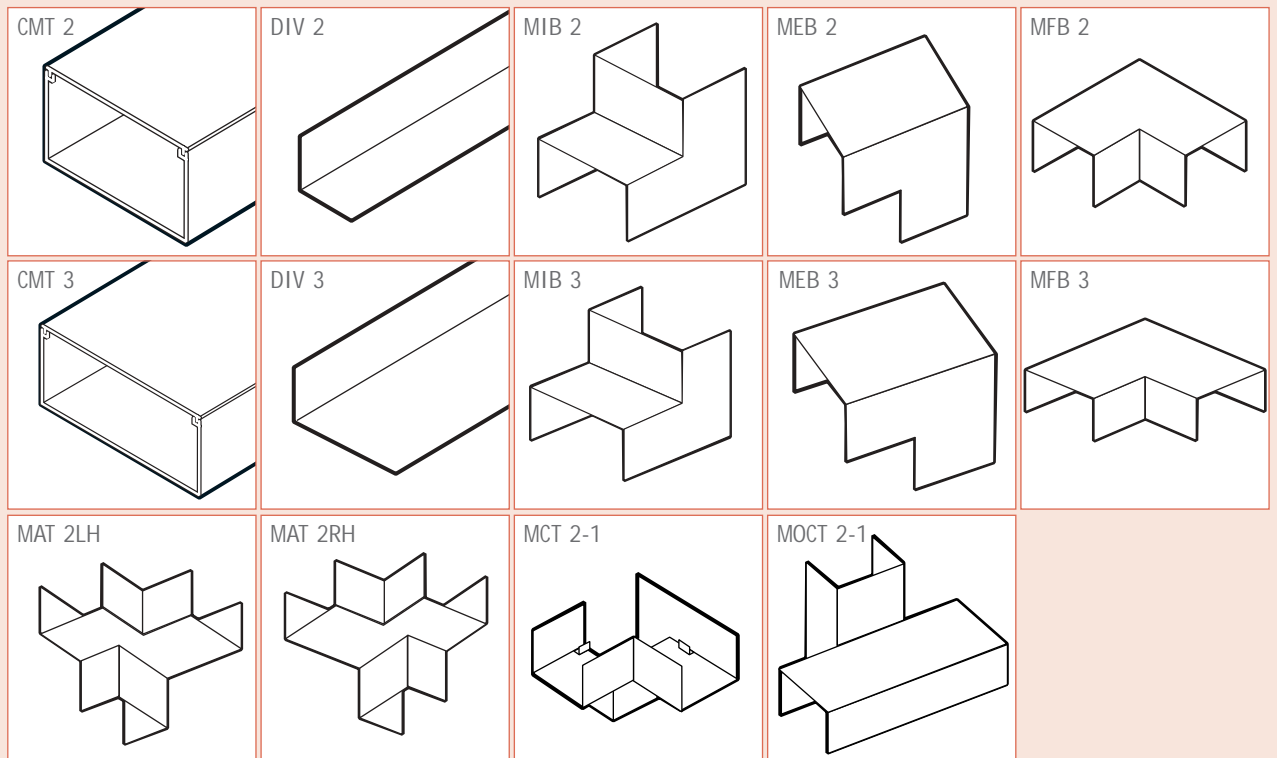
Description	
Trunking Complete with Lid	
Trunking Complete with Lid (Self Adhesive)	
Trunking Twin Compartment	
Self Adhesive Divider	
Accessories	
Internal Bend	
External Bend	
Flat Bend	
Coupler	
End Cap	
Equal Tee	
Unequal Tee	CMT 2 / CMT 1
Unequal Tee	CMT 3 / CMT 1
Unequal Tee	CMT 3 / CMT 2
Angle Tee Left Hand	
Angle Tee Right Hand	
Ceiling Tee	CMT 2 / CMT 1
Ceiling Tee	CMT 2 / CMT 2
Ceiling Rose Adaptor	CMT 2 / CMT 3
Ceiling Tee Offset CMT 2 / CMT 1	
Ceiling Tee Offset CMT 2 / CMT 2	

16mm x 25mm

Cat No.	Standard Pack Qty
CMT 2	20 x 3m
CMT 2SA	20 x 3m
	n/a
DIV 2	10 x 3m
Accessories	
MIB 2	40
MEB 2	40
MFB 2	40
MC 2	40
MEC 2	100
MT 2-2	30
MT 2-1	30
	n/a
	n/a
MAT-2LH	20
MAT-2RH	20
MCT 2-1	20
MCT 2-2	20
MCR 2	30
MOCT 2-1	20
MOCT 2-2	20

16mm x 38mm

Cat No.	Standard Pack Qty
CMT 3	15 x 3m
CMT 3SA	15 x 3m
CMT 3TC	15 x 3m
DIV 3	10 x 3m
Accessories	
MIB 3	40
MEB 3	40
MFB 3	40
MC 3	30
MEC 3	40
MT 3-3	25
	n/a
MT 3-1	20
MT 3-2	20



Mini Trunking



Mini Trunking

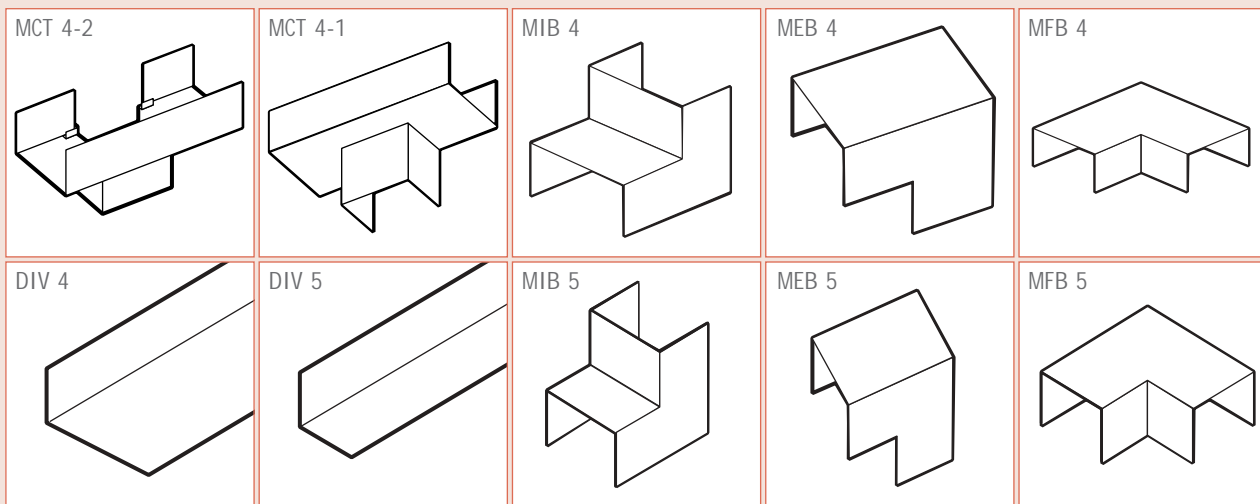
Description	
Trunking Complete with Lid	
Trunking Complete with Lid (Self Adhesive)	
Trunking Twin Compartment	
Divider Self Adhesive	
Divider (Metal)	
Accessories	
Internal Bend	
External Bend	
Flat Bend	
Coupler	
End Cap	
Equal Tee	
Unequal Tee	CMT 4 / CMT 1
Unequal Tee	CMT 4 / CMT 2
Unequal Tee	CMT 4 / CMT 3
Ceiling Tee	CMT 4 / CMT 1
Ceiling Tee	CMT 4 / CMT 2

25mm x 38mm

Cat No.	Standard Pack Qty
CMT 4	15 x 3m
CMT 4SA	15 x 3m
	n/a
DIV 4	10 x 3m
	n/a
Accessories	
MIB 4	25
MEB 4	25
MFB 4	25
MC 4	25
MEC 4	30
MT 4-4	20
MT 4-1	20
MT 4-2	20
MT 4-3	20
MCT 4-1	20
MCT 4-2	20

50mm x 25mm

Cat No.	Standard Pack Qty
CMT 5	12 x 3m
CMT 5SA	12 x 3m
CMT 5TC	12 x 3m
DIV 5	10 x 3m
DIV 5 (Metal)	12 x 3m
Accessories	
MIB 5	2
MEB 5	2
MFB 5	2
MC 5	10
MEC 5	20
MT 5-5	2





Mini Trunking

Mini Trunking Surface Boxes

Description
1 Gang, 25mm Deep, Square Corners
2 Gang, 25mm Deep, Square Corners
1 Gang, 32mm Deep, Square Corners
2 Gang, 32mm Deep, Square Corners
1 Gang, 25mm Deep, RADIUS CORNERS
2 Gang, 25mm Deep, RADIUS CORNERS
1 Gang, 32mm Deep, RADIUS CORNERS
2 Gang, 32mm Deep, RADIUS CORNERS
1 Gang, 44mm Deep, Square Corners
2 Gang, 44mm Deep, Square Corners

Surface Box Adaptors

To Fit CMT 0 (Centre)
To Fit CMT 1 (Centre)
To Fit CMT 1 (Left Hand)
To Fit CMT 1 (Right Hand)
To Fit CMT 2 (Centre)

Flat Lids

Single Gang
Twin Gang

Circular Rose Adaptors

Circular Lid Plain
Circular Lid with 32mm hole
Circular Lid with KLIK accessory opening

Surface Box Direct Entry

1 Gang, 44mm Deep, 1 Entry for CMT 4
1 Gang, 44mm Deep, 2 Entries for CMT 4

With Cutouts

Cat No	Standard Pack Qty
SB 1	20
SB 2	10
SB 3	20
SB 4	10
SB 5	20
SB 6	10
SB 7	20
SB 8	10

MA 0	50
MA 1	50
MA 1LH	50
MA 1RH	50
MA 2	50

FL 1	20
FL 2	10

MCLP	100
MCL 32	100
MCLK	100

SB 401	10
SB 402	10

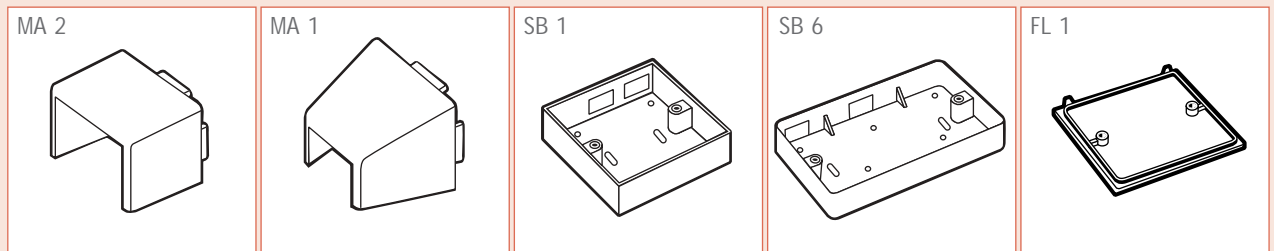
With Plain Sides

Cat No	Standard Pack Qty
SBP 1	20
SBP 2	10
SBP 3	20
SBP 4	10
SBP 5	20
SBP 6	20
SBP 7	10
SBP 8	20
SBP 9	10
SBP 10	5

Special knockouts can be produced to order i.e. BNC/COAX, DIN connectors.

Surface Boxes manufactured to comply with BS 4662

State colour when ordering.



Selection and Capacity

Choice of trunking is normally controlled by the quantity of cable to be carried. In accordance with the requirements of IEE wiring regulations, the space factor of trunking occupied should not exceed 45% of the cross sectional area of the section.

For p.v.c. Insulated Single-core Cables in Trunking.

For each cable to be used obtain the cable factors from the table opposite, add all factors together and compare to the capacities given.

Any trunking with a space factor equal to or larger than that of the cable factors will satisfactorily accommodate the desired cables.

Cat No.	Size	Nominal Cross Section area Based on 45% Capacity
CMT 0	16mm x 10mm	42mm ²
CMT 1	16mm x 16mm	66mm ²
CMT 2	25mm x 16mm	120mm ²
CMT 3	38mm x 16mm	185mm ²
CMT 4	38mm x 25mm	325mm ²
CMT 5	50mm x 25mm	410mm ²

Type of Conductor	Conductor cross-sectional area mm ²	Factor
Solid	1.5	7.1
	2.5	10.2
Stranded	1.5	8.1
	2.5	11.4
	4	15.2
	6	22.9
	10	36.3